

### **INSTALLATION DETAILS**

- Recommended crew (Adult): 2
- Installation time: 1 (2 man hrs)
- User age: 2-5 for up to a 20" deck  
5-12 for up to a 36" deck
- Use zone: see Special Safety Notes
- Weight: 110 lbs

**SURFACING:** Use of safety surfacing in compliance with ASTM specification F1292 is required.

### **MAINTENANCE:**

- As the owner of the playground you are responsible for maintenance of the equipment and play area. A maintenance schedule must be developed and the equipment inspected frequently. A maintenance section that includes component specific maintenance requirements is included at the end of this manual.
- Be sure to inspect surfacing for foreign objects that could cause injury and that sufficient surfacing is in place in accordance with ASTM and CPSC standards.

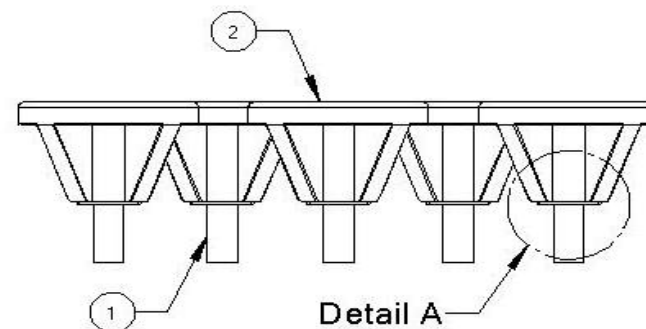




## 511-152 STEPPING STONES INSTALLATION INSTRUCTION

### PARTS LIST

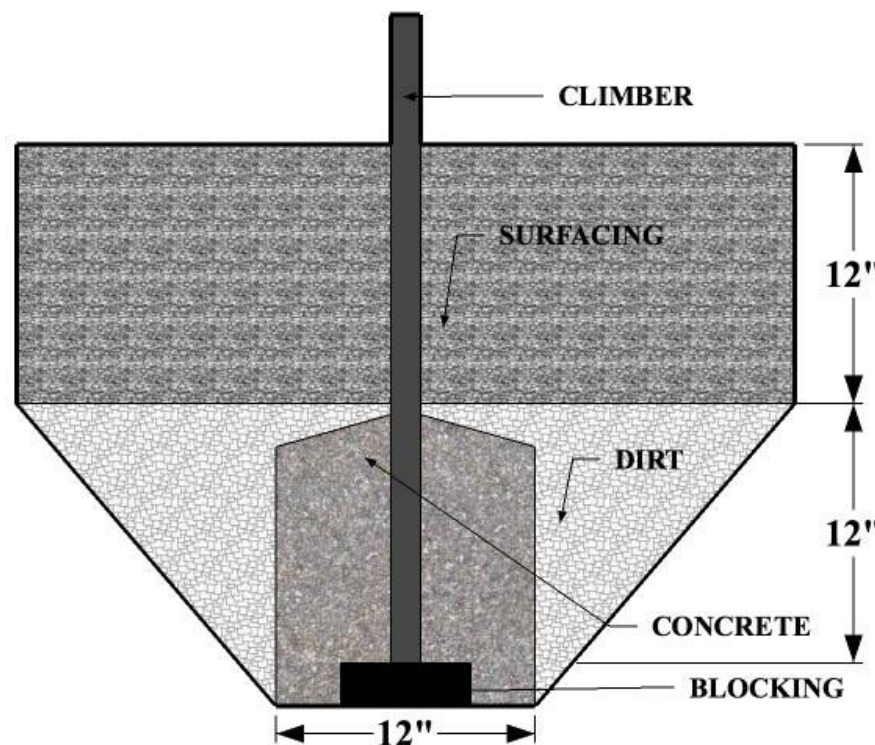
ID	PART #	DESCRIPTION	QTY
1	903-271	Stepping Stone Leg	5
2	435-659	Stepping Stone Molded set of 5	1 set
3	116-530	5/16" x 1" Button Head Bolts	20
4	316-501	5/16" Flat Washers	20

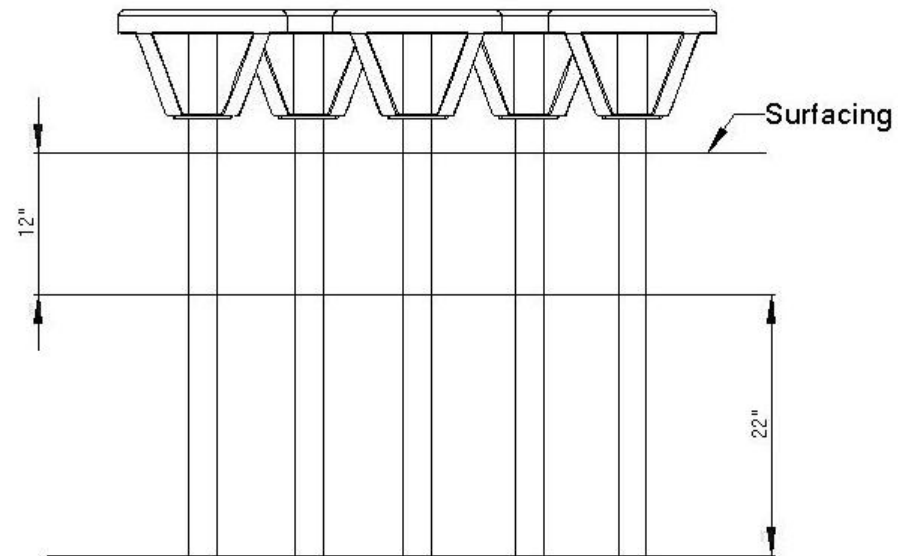


**NOTE:** Keep a copy of these instructions on file to assist you with maintenance and replacement parts.

### FOOTING INFORMATION

- The stepping stone footing depth is unique when compared to other footings. The footing varies based on your layout of the individual steps. Follow the instructions in the installation steps and ensure that you maintain proper spacing and elevation requirements between the steps. The drawing to the right is an example of a footing and the depth measurement is an example as each hole depth will vary based on your desired installation height.
- You must place the bottom of the support post or slide leg on a suitable flat blocking material to prevent it from sinking further into the soil. We recommend you use a brick, block of wood or several inches of gravel. The footing depth does not include this blocking material since materials used often vary.
- It is the owner/installers responsibility to check local building codes and to comply with those codes. All footing depths listed here are recommendations and local soil types and frost lines may require a deeper and/or wider footing depth. If that's the case you must add more blocking material to accommodate the deeper footing, as the post length will still only be installed at the depth listed in this instruction manual.
- Assemble the entire unit before adding the concrete unless instructed to do so in the individual component instruction sections.







## 511-152 STEPPING STONES INSTALLATION INSTRUCTION

### **SPECIFICATIONS**

- **Paint** – Electrostatically applied & oven cured powder coat
- **Hardware** – Stainless steel & tamper resistant
- **Tube** – FloCoat® Galvanized 1 3/8” OD and 1” OD.
- **Stepping Stone Leg**- 2 3/8” tube MIG welded to 3/16” steel plate
- **Stepping Stone Plastic set of parts**- 3/4” HDPE UV stabilized plastic

### **SPECIAL SAFETY & ASTM COMPLIANCE NOTES**

- Safety Surfacing must extend 72” past the furthest Stepping Stone, and 72” wider than the greatest distance of the Stepping Stones.

### **INSTALLATION TIPS & TROUBLE SHOOTING**

- SportsPlay Equipment Inc. recommends pre-drilling the holes in the post when attaching a four-hole bracket with a number #7 drill bit. This will make the attachment of the four-hole bracket with the self-tapping screws easier and it will prevent damage to the screw head during installation.
- Apply loctite to all bolts during assembly prior to completely tightening them.
- Stainless Steel hardware can occasionally be difficult to use particularly if you need to take them out to make an adjustment. It is recommended that you add a drop of oil to bolts that may have to be removed before you install them.
- Do not tighten bolts all the way until the unit is completely assembled and all components are square and level.
- Identify and separate all parts by referencing the detail drawings and the parts list.
- As you unpack and separate the components use the cardboard sheets that were used for packing and shipping to prevent damage to the components. This is particularly true all Powder Coated and Thermoplastic coated components, by setting the components on top of the cardboard.

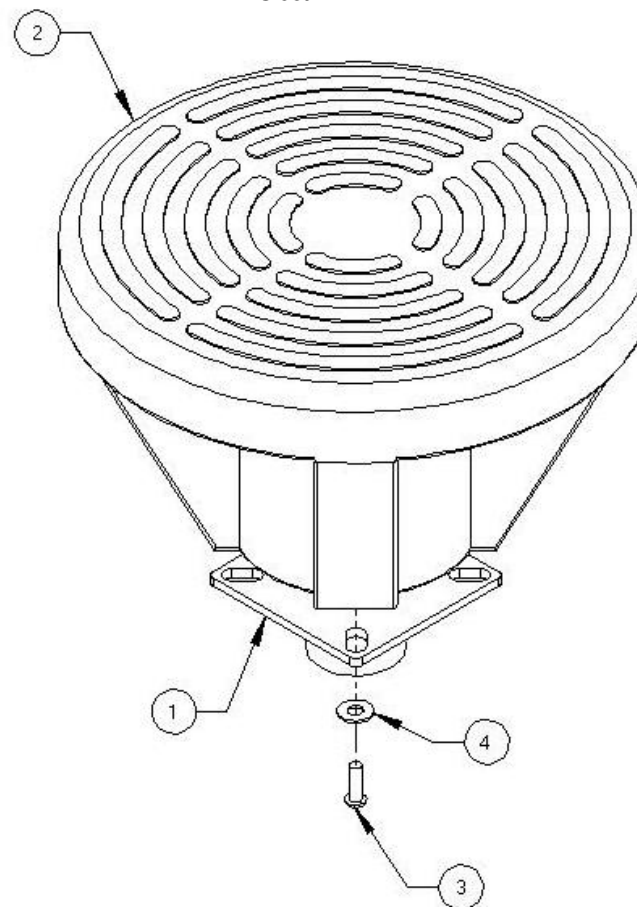
### **BEFORE YOU BEGIN**

In addition to the components on the packing list you will need a shovel or post hole digger, cement, drill with a #7 drill bit, 9/16" wrench, tape measure, dry erase marker, level and blocking material to support the Stepping Stone Legs.

### **INSTALLATION STEPS**

- \_\_1) Review all instructions before beginning**
- \_\_2) Unpack, organize, and identify all components:** Be sure to place all painted components on a protective surface (cardboard, cloth, etc...) to prevent damage.
- \_\_3) Locate placement of the Stepping Stones:** See top down view of your instruction booklet.
- \_\_4) Dig your footings:** The footing holes for the Stepping Stone Legs cannot be any further than 12" apart.
- \_\_5) Set Stepping Stone Legs:** After you have the footings dug you will need to place the Stepping Stone Legs (1) in the footing holes. The Stepping Stones can be no further apart than 12" with a step height of no more than 6". You will need to use blocking material to hold the legs in to a level position and to get them to stay at the proper height. Now you can pour the cement into the footing holes. Be sure to use concrete with a minimum 2,500 psi and mix the concrete per the manufacturer's directions before you pour it into the footing hole.

### Detail A





## 511-152 STEPPING STONES INSTALLATION INSTRUCTION

### **INSTALLATION STEPS CONTINUED**

\_\_6) **Install Stepping Stone Plastic Parts:** After the cement has dried you can install the Stepping Stone Plastic parts. You will need the 5/16" x 1" bolts (3), 3/8" Flat Washers (4). Place one 5/16" Flat Washer on to one of the 5/16" x 1" Button Head Bolts. Insert this through the Plastic Stepping Stone (2) and into the Leg (1) on the bottom side of the Leg. Repeat this until the Stepping Stones are installed. (See Detail A)

\_\_7) **Once the concrete has set,** back fill dirt over the footing holes; inspect the area and components for tools, hazardous debris and sharp edges. Verify all components are installed and all hardware is tight and then install the safety surfacing.

\_\_8) **Inspect the components:** for sharp edges and if necessary file them down and apply touch up paint.