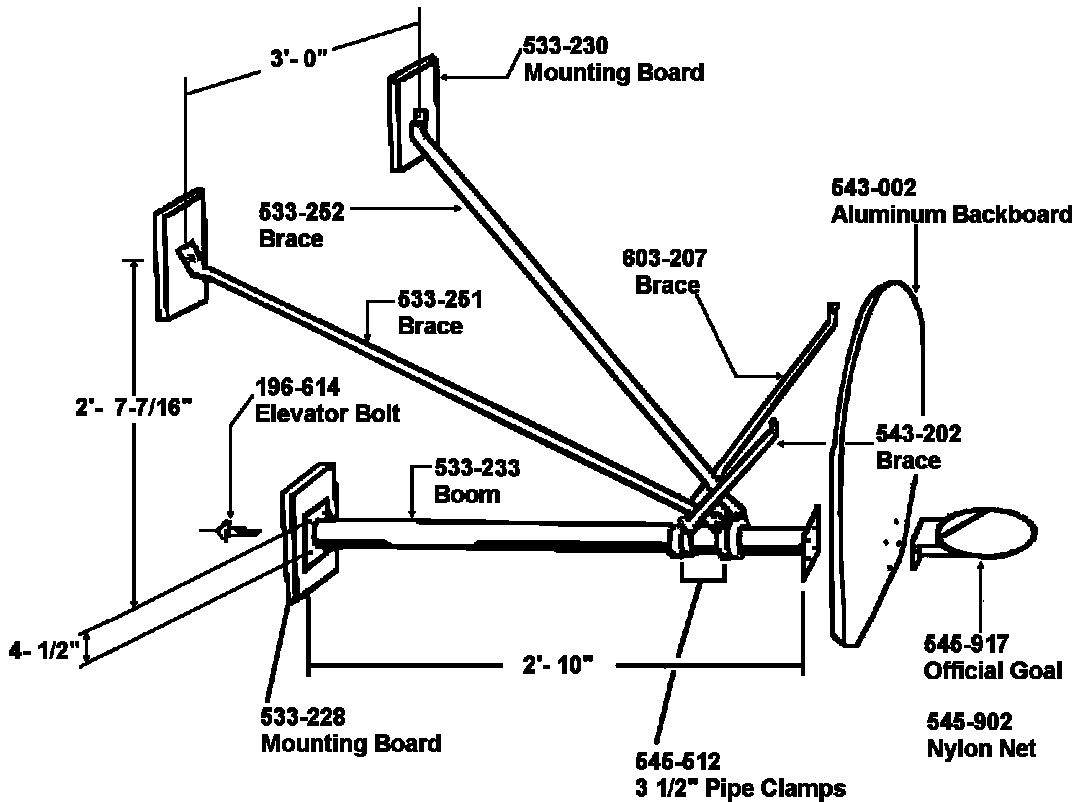


# 531-603 Wall Mounted Basketball Backstop 3 Foot Extension/Aluminum Backboard

Page 1  
Rev. 05/07/08

## IMPORTANT

PLEASE READ THESE INSTRUCTIONS BEFORE COMMENCING ASSEMBLY. All equipment must be installed in accordance with these instructions. Check your shipment against Bill of Lading and Parts list. Any missing or broken parts must be reported to your distributor within 10 days of receipt of your order. When properly installed and maintained, equipment will give many years of safe, trouble-free use. Periodically check for loose or broken parts. Loose bolts must be tightened and broken parts must be replaced as they can possibly create dangerous situations leading to unnecessary accidents.



<u>PACKING LIST</u>				<u>HARDWARE BAG</u>			
1	CTN	1	Hardware Bag	6	196-610	3/8" x 2 1/2" Elevator Bolts	
		1	533-228 Mounting Board	10	216-601	3/8" Hex Nut	
		2	533-230 Mounting Board	4	116-505	5/16" x 1 1/4" Hex Bolt	
1	CTN	1	543-002 Aluminum Backboard	8	316-501	5/16" Flat Washers	
1	CTN	1	545-917 Official Goal	16	316-601	3/8" Flat Washer	
		1	545-902 Nylon Net	4	545-512	3 1/2" x 3/4" Brace Clamp	
1	BDL	1	543-202 Brace	2	116-604	3/8" x 1" hex Head Bolt	
		1	603-207 Brace	4	116-625	3/8" x 1 1/2" Hex Tap Bolt	
		1	533-251 Brace	4	226-501	5/16" Lock Nut	
		1	533-252 Brace				
1	PIPE	1	533-233 Support 2'10"				

3 CTN      1 BDL      1 PIPE      5 TOTAL PCS      105# Weight      Class 70

**531-603 Wall Mounted Basketball Backstop**  
**3 Foot Extension/Aluminum Backboard**

Page 2  
Rev. 05/07/08

**TOOLS REQUIRED FOR INSTALLATION:**

1	Tape Measure	1	Level
1	Crescent Wrench	1	Socket Wrench Set

**ASSEMBLY AND INSTALLATION:**

**NOTE:** All threaded ends of bolts protruding beyond nuts must be cut off and/or peened to eliminate sharp edges. No more than two threads should extend beyond face of nut. All washers, "T" nuts, and other fastener hardware used on round pipe or tubing must be hammered down to conform to the curved underlying surface to eliminate catch points.

STEP #1: Attach 533-251 Brace and 533-252 Brace to 533-230 Mounting Boards using:

2 - 3/8" x 2 1/2" Elevator Bolts  
2 - 3/8" Flat Washers  
2 - 3/8" Hex Nuts

STEP #2: Attach 533-233 Boom to 533-228 Mounting Board using:

4 - 3/8" x 2 1/2" Elevator Bolts  
4 - 3/8" Flat Washers  
4 - 3/8" Hex Nuts

STEP #3: Attach mounting boards to wall following dimensions on page 1 drawing.

NOTE: Because of varied mounting surfaces (brick, siding, etc.) fasteners to secure mounting boards to wall are NOT provided. We suggest a strong thru-wall bolting system.

STEP #4: Attach 533-251, 533-252, 543-202 and 603-207 Braces to 533-233 using:

4 - 3 1/2" Brace Clamps  
4 - 5/16" x 1 1/2" Hex Bolts  
4 - 5/16" Lock Nuts  
8 - 5/16" Flat Washers

STEP #5: Attach 533-217 Goal and Net to 543-002 Aluminum Backboard to 533-233 Boom using:

4 - 3/8" x 1 1/2" Hex Bolts  
8 - 3/8" Flat Washers  
4 - 3/8" Hex Nuts

STEP #5: Attach 603-207 and 543-202 Braces to back of 543-002 Aluminum Backboard using:

2 - 3/8" x 1" Hex Bolts

**NOTE** The official height of a goal and net is 10 feet from floor to top of rim