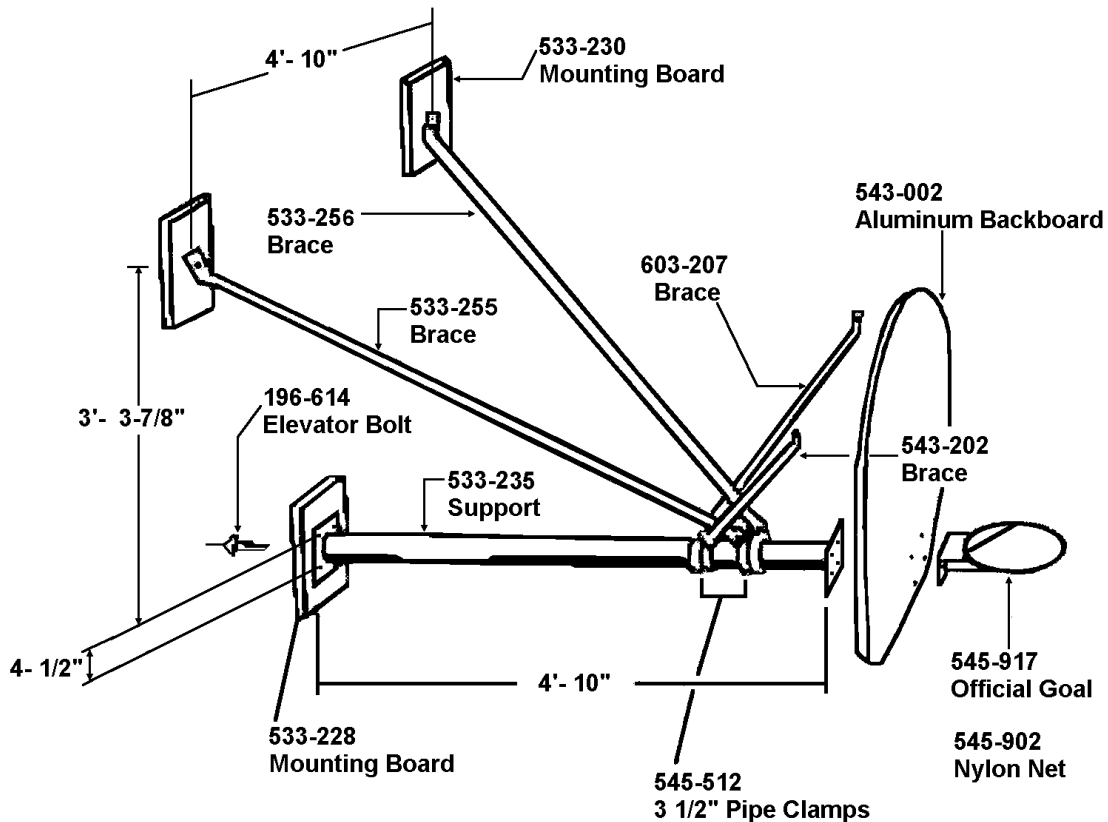


531-605 Wall Mounted Basketball Backstop 5 Foot Extension/Aluminum Backboard

IMPORTANT

PLEASE READ THESE INSTRUCTIONS BEFORE COMMENCING ASSEMBLY. All equipment must be installed in accordance with these instructions. Check your shipment against Bill of Lading and Parts list. Any missing or broken parts must be reported to your distributor within 10 days of receipt of your order. When properly installed and maintained, equipment will give many years of Safe, Trouble-Free use. Periodically check for loose or broken parts. Loose bolts must be tightened and broken parts must be replaced as they can possibly create dangerous situations leading to unnecessary accidents.



<u>PACKING LIST</u>				<u>HARDWARE BAG</u>			
1	CTN	1	Hardware Bag	6	196-610	3/8" x 2 1/2" Elevator Bolts	
		1	533-228 Mounting Board	12	116-606	3/8" x 1 1/2" Hex Bolts	
		2	533-230 Mounting Board	2	116-604	3/8" x 1" Hex Bolts	
1	CTN	1	543-002 Aluminum Backboard	12	316-601	3/8" Flat Washers	
1	CTN	1	545-917 Official Goal	18	216-601	3/8" Hex Nuts	
		1	545-902 Nylon Net	8	545-506	3 1/2" Pipe Clamp	
1	BDL	1	543-202 Brace	2		5/16" x 2" Hex Bolts	
		1	603-207 Brace	4		5/16" Flat Washer	
		1	533-255 Brace	2		5/16" Hex Nuts	
		1	533-256 Brace				
1	PC	1	533-235 Support				

3 CTN	1 BDL	1 PC	5 Total Pcs.	130# Weight	Class 70
-------	-------	------	--------------	-------------	----------

531-605 Wall Mounted Basketball Backstop
5 Foot Extension/Aluminum Backboard

Page 2
Rev. 05/07/08

TOOLS REQUIRED FOR INSTALLATION:

1	Tape Measure	1	Level
1	Crescent Wrench	1	9/16" Socket Wrench

ASSEMBLY AND INSTALLATION:

NOTE: All threaded ends of bolts protruding beyond nuts must be cut off and/or peened to eliminate sharp edges. No more than two threads should extend beyond face of nut. All washers, "T" nuts, and other fastener hardware used on round pipe or tubing must be hammered down to conform to the curved underlying surface to eliminate catch points.

STEP #1: Attach 533-256 & 533-255 Braces to 533-230 Mounting Boards using:

2 - 3/8" x 2 1/2" Elevator Bolts
2 - 3/8" Flat Washers
2 - 3/8" Hex Nuts

STEP #2: Attach 533-235 Support to 533-228 Mounting Board using:

4 - 3/8" x 2-1/2" Elevator Bolts
4 - 3/8" Flat Washers
4 - 3/8" Hex Nuts

STEP #3: Attach mounting boards to wall.

NOTE: Because of varied mounting surfaces (brick, siding, etc.) fasteners to secure mounting boards to wall are NOT provided

STEP #4: Attach 603-207, 543-202, 533-255 & 533-256 Braces to 533-235 Support using:

8 - Pipe Clamps
8 - 3/8" x 1-1/2" Hex Bolts
8 - 3/8" Hex Nuts
4 - 3/8" Flat Washers

STEP #5: Attach Goal and Net to 543-008 Aluminum Backboard and 533-235 Support using:

4 - 3/8" x 1 1/2" Hex Bolts
4 - 3/8" Flat Washers
4 - 3/8" Hex Nuts

STEP #6: Attach 603-207 & 543-202 Braces to Backboard using:

2 - 3/8" x 1" Hex Bolts

NOTE The official height of a goal and net is 10 feet from floor to top of rim