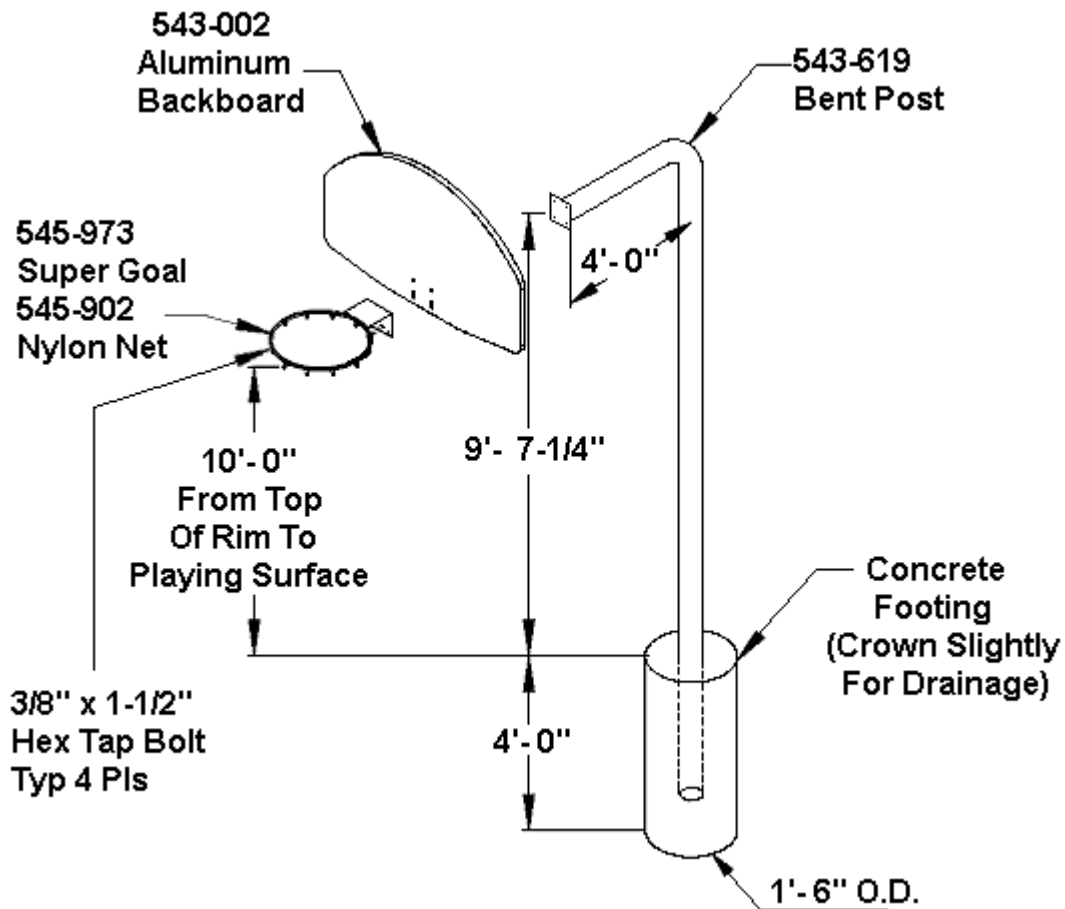


**541-616M Basketball Backstop  
Aluminum Fan Backboard and NYLON Net**

Page 1  
Rev. 05/12/2008

**IMPORTANT**

PLEASE READ THESE INSTRUCTIONS BEFORE COMMENCING ASSEMBLY. All equipment must be installed in accordance with these instructions. Check your shipment against Bill of Lading and Parts list. Any missing or broken parts must be reported to your distributor within 10 days of receipt of your order. When properly installed and maintained, equipment will give many years of Safe, Trouble-Free use. Periodically check for loose or broken parts. Loose bolts must be tightened and broken parts must be replaced as they can possibly create dangerous situations leading to unnecessary accidents.



<u>PACKING LIST</u>				<u>HARDWARE BAG</u>			
1	CTN	1	Hardware Bag	4	116-625	3/8" x 1 1/2" Hex Tap Bolt	
		1	545-973 Super Goal	8	316-601	3/8" Flat Washer	
		1	545-902 Nylon Net	4	236-604	3/8" Round 'T' Nut	
1	CTN	1	543-002 Aluminum Backboard	4	216-601	3/8" Hex Nut	
1	PIPE	1	543-619 Bent Post				

2 CTN	1 PIPE	3 TOTAL PCS	215 # Weight	Class 70
-------	--------	-------------	--------------	----------

**541-616M Basketball Backstop**  
**Aluminum Fan Backboard and NYLON Net**

Page 2  
Rev. 05/12/2008

**ASSEMBLY AND INSTALLATION:**

**NOTE:** All threaded ends of bolts protruding beyond nuts must be cut off and/or peened to eliminate sharp edges. No more than two threads should extend beyond face of nut. All washers, "T" nuts, and other fastener hardware used on round pipe or tubing must be hammered down to conform to the curved underlying surface to eliminate catch points. DO NOT tighten nuts more than hand-tight until entire assembly is completed.

**STEP #1:** Locate and dig footing hole for 543-619 Bent Post

**NOTE:** see illustration on page 1 for size and depth of footing hole

**STEP #2:** Place long end of 543-619 bent post into footing hole.

**NOTE:** Brace 543-619 Bent Post in footing hole so that the underside of the extension is 9' - 7 1/4" from playing surface. Plumb and level.

**STEP #3:** Mix and pour concrete into footing hole using:

12 - 80 lb. Bags of Pre-Mix cement.

**NOTE:** Fill footing hole to the top with concrete and crown top for drainage. Allow to harden for 48 hours BEFORE attaching backboard, goal and net.

**STEP #4:** Attach 543-002 Aluminum Backboard to 543-619 Bent Post using:

4 - 3/8" x 1 1/2" Hex Tap Bolts  
4 - 3/8" Flat Washers  
4 - 3/8" Round 'T' nut

**NOTE:** Insert bolts with washer attached from bent post side into T-nut with threaded end inserted into backboard openings so that bolt ends extend beyond backboard. Level backboard on bent post.

**STEP #5:** Attach Goal to Backboard using:

4 - 3/8" Hex nuts  
4 - 3/8" Flat Washers

**NOTE:** Tighten goal to backboard to post by holding front hex nut and tightening on bolt end. This pulls the threaded round 'T' nut tight to backboard.

**NOTES:** Do NOT over tighten bolts.

The official height of a Goal & Net is 10 feet from top of rim to top of playing surface.

**Maintenance:** Check periodically for loose and/or broken parts. Replace immediately.