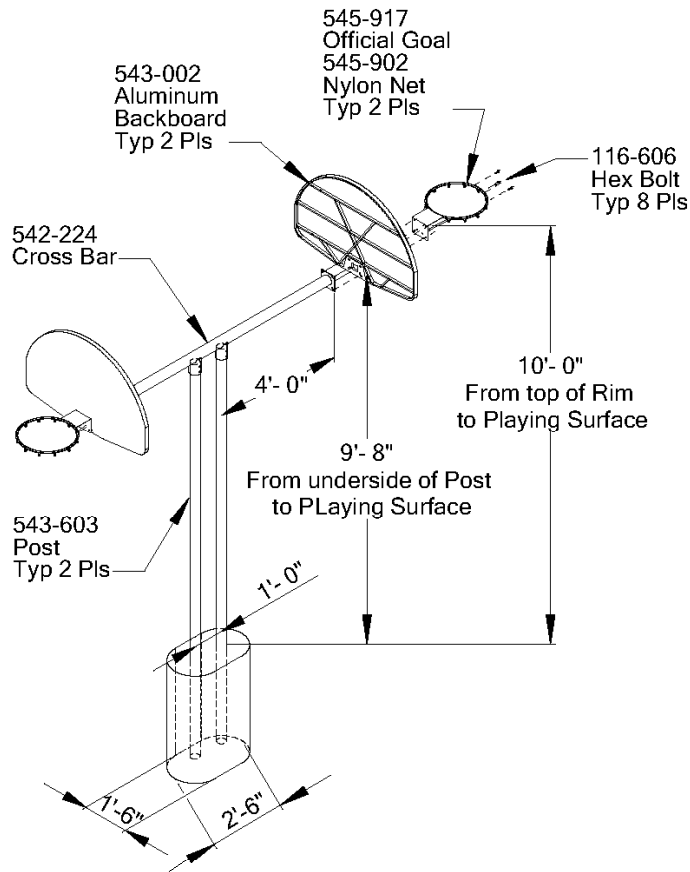


541-864 Double Basketball Backstop Aluminum Fan Backboard 4' Extension

IMPORTANT

PLEASE READ THESE INSTRUCTIONS BEFORE COMMENCING ASSEMBLY. All equipment must be installed in accordance with these instructions. Check your shipment against Bill of Lading and Parts list. Any missing or broken parts must be reported to your distributor within 10 days of receipt of your order. When properly installed and maintained, equipment will give many years of Safe, Trouble-Free use. Periodically check for loose or broken parts. Loose bolts must be tightened and broken parts must be replaced as they can possibly create dangerous situations leading to unnecessary accidents.



PACKING LIST

1	CTN	1	Hardware Bag
		1	545-917 Official Goal
		1	545-902 Nylon Net
1	CTN	1	545-917 Official Goal
		1	545-902 Nylon Net
2	CTN	1	543-002 Aluminum Backboard
1	WF	1	542-224 Cross Bar 3 1/2" x 9'
2	PIPE	1	543-603 Post 3 1/2" x 13'

HARDWARE BAG

4	196-803	1/2" x 3/4" Socket Set Screws
8	116-625	3/8" x 1 1/2" Hex Tap Bolt
16	316-601	3/8" Flat Washer
8	216-601	3/8" Hex Nut
1	416-400	1/4" Socket Key
8	536-604	3/8" Round T-Nut

4 CTN 1 WF 2 PIPE 7 TOTAL PCS 290# Weight Class 70

541-864 Double Basketball Backstop
Aluminum Fan Backboard 4' Extension

Page 2

Rev. 08/20/2008

TOOLS REQUIRED FOR INSTALLATION

1 Tape Measure	1 Level	1 9/16" Socket Wrench
1 Crescent Wrench	15 80 lb. Bags Pre-Mix Cement	

ASSEMBLY AND INSTALLATION:

NOTE: All threaded ends of bolts protruding beyond nuts must be cut off and/or peened to eliminate sharp edges. No more than two threads should extend beyond face of nut. All washers, "T" nuts, and other fastener hardware used on round pipe or tubing must be hammered down to conform to the curved underlying surface to eliminate catch points. DO NOT tighten nuts more than hand-tight until entire assembly is completed.

STEP #1: Locate and dig footing hole for 543-603 Posts

STEP #2: Attach 543-224 Cross bar to 543-603 Posts using:
4 - 1/2" x 3/4" Set Screws
1 - 1/4" Socket Key
NOTE: Use 2 set screws per connection.

STEP #3: Place assembly into footing hole.
NOTE: Brace support and post in footing hole so that the end of the support and post are approximately 6" from the bottom of the footing hole. IT IS CRITICAL TO MAINTAIN THE 9'8" DIMENSION FROM THE UNDERSIDE OF THE EXTENSION TO THE TOP OF THE PLAYING SURFACE. Level and square with playing surface.

STEP #4: Mix and pour Pre Mix Concrete into footing holes using:
15 - 80# Bags of Pre-Mix Concrete. Crown top for drainage.

STEP #5: Attach aluminum backboards to cross bar ends:
4 - 3/8" x 1 1/2" Hex Bolts
4 - 3/8" Flat Washers
4 - 3/8" Round T Nut
NOTE: Insert bolts with washer attached from post side into T Nut with threaded end inserted into backboard openings so that bolt ends extend beyond backboard. Level backboard on post.

STEP #6: Attach goals to backboards using:
4 - 3/8" Hex Nuts
4 - 3/8" Flat Washers
NOTE: Tighten goal to backboard to cross bar holding front hex nut and tightening on bolt end. This pulls the threaded round T nut tight to the backboard.

STEP #7: Allow at least 48 hours for concrete to harden before using backstop for regular play.

MAINTENANCE INSTRUCTIONS:

Check periodically for loose bolts and/or broken parts. Tighten or Replace immediately.

SportsPlay Equipment, Inc., 5642 Natural Bridge, St. Louis, MO 63120 (314) 389-4140
www.sportsplayinc.com