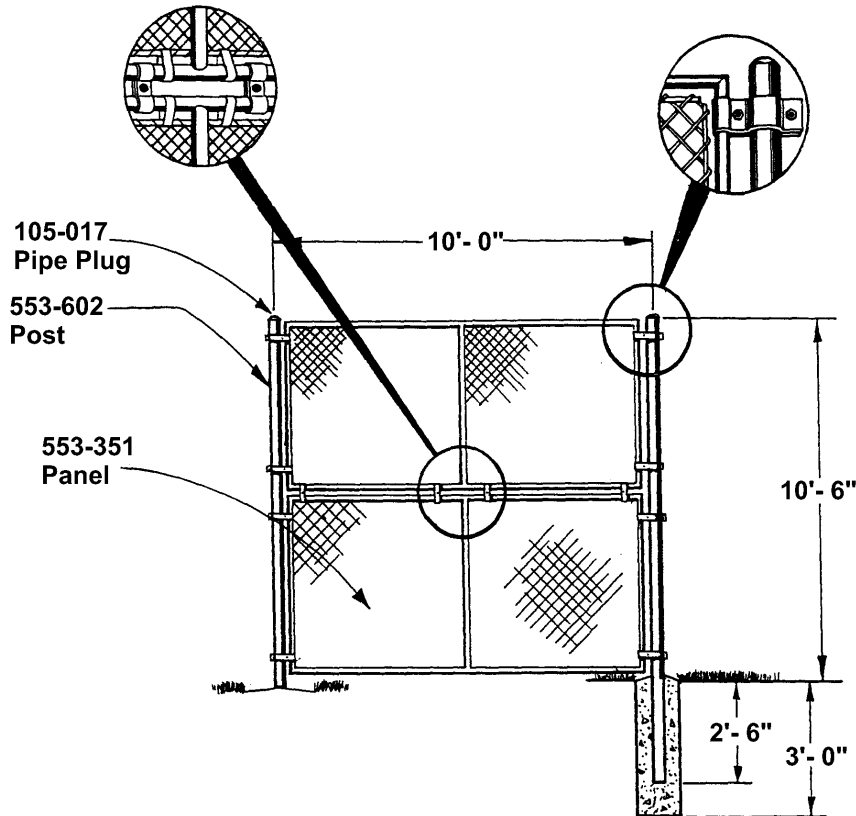


551-110 Baseball Backstop

IMPORTANT

PLEASE READ THESE INSTRUCTIONS BEFORE COMMENCING ASSEMBLY. All equipment must be installed in accordance with these instructions. Check your shipment against Bill of Lading and Parts list. Any missing or broken parts must be reported to your distributor within 10 days of receipt of your order. When properly installed and maintained, equipment will give many years of Safe, Trouble-Free use. Periodically check for loose or broken parts. Loose bolts must be tightened and broken parts must be replaced as they can possibly create dangerous situations leading to unnecessary accidents.



<u>PACKING LIST</u>				<u>HARDWARE BAG</u>			
1	CTN	1	Hardware Bag	2	105-017	2	3/8" Pipe Plugs
2	PANEL	1	553-351 Panel	4 pr	555-511	1"	1" x 1" Saddle Clamp
2	PIPE	1	553-602 2 3/8" OD x 13'	8 pr	555-512	1"	x 2 3/8" Saddle Clamp
				16	126-505	5/16"	x 1 1/4" Carriage Bolt
				4	116-504	5/16"	x 1" Hex Bolt
				20	326-501	5/16"	Lock Washer
				20	216-501	5/16"	Hex Nut

1 CTN	2 PIPE	2 PANEL	5 TOTAL PCS	195# Weight	Class 70
-------	--------	---------	-------------	-------------	----------

551-110 Baseball Backstop

Page 2
Rev 05/22/08

GENERAL ASSEMBLY INSTRUCTIONS:

1. Check each piece carefully and remove any sharp projections that may have been caused by shipping.
2. DO NOT Tighten nuts more than hand tight until entire assembly is completed.
3. All Threaded ends of bolts protruding beyond nuts should be cut off and peened over to remove any sharp edge.

SPECIFIC ASSEMBLY INSTRUCTIONS:

1. Layout and dig holes
2. Assemble backstop on ground with bottom of upright posts at front edge of holes. Tighten all bolts securely.
3. Raise and lower assembly into holes.
4. Plumb and Level backstop.
5. Pour footings. Approximate concrete required - 4.7 cubic feet.

MAINTENANCE INSTRUCTIONS:

Check periodically for loose bolts, broken parts and replace immediately.