



JUNIOR SOCCER GOAL (PAIR)

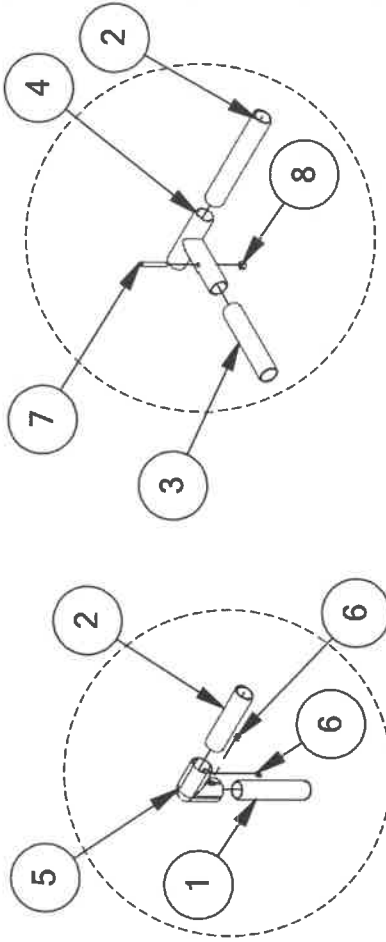
561-505

ITEM NO.	PART NUMBER	DESCRIPTION	QTY.
1	563-606	2-3/8" X 10'	4
2	563-222	2-3/8" X 12' Cross Bar	2
3	563-403	Net Support	4
4	125-523	2-3/8" T-Clamps	4pr.
5	503-501	2-7/8" Elbow	4
6	196-802	1/2" x 1/2" Socket Set Screw	8
7	116-614	3/8" x 3-1/2" Hex Head Bolt	4
8	226-601	3/8" Lock Nut	4
9	373-303	1/8 Yellow PP Cord	300ft
10	416-400	1/4" Socket Key	1

IMPORTANT

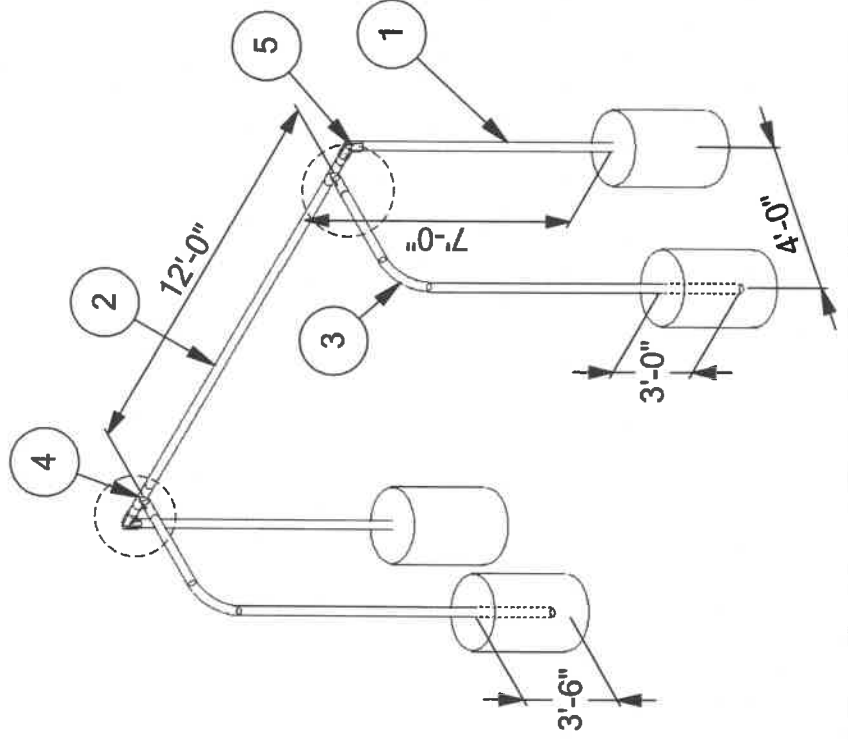
Please retain this instruction sheet in your files. It contains important replacement parts information. All equipment should be installed in accordance with these instructions.

It is important to use a maintain all public playground equipment properly. Playground equipment, which is improperly maintained, can cause serious injury. Periodical inspections, maintenance, repair and/or replacement of damaged parts is necessary for safe operation of equipment and safety of users. Resilient Surfacing should be used under all playground equipment. Appropriate publications, available at no charge, from The Consumer Product Safety Commission, include "A Handbook for Public Playground Safety". You can receive your free copy by calling 1-301-504-7908



DETAIL A

DETAIL B



561-505 Junior Soccer Goal (Pair)

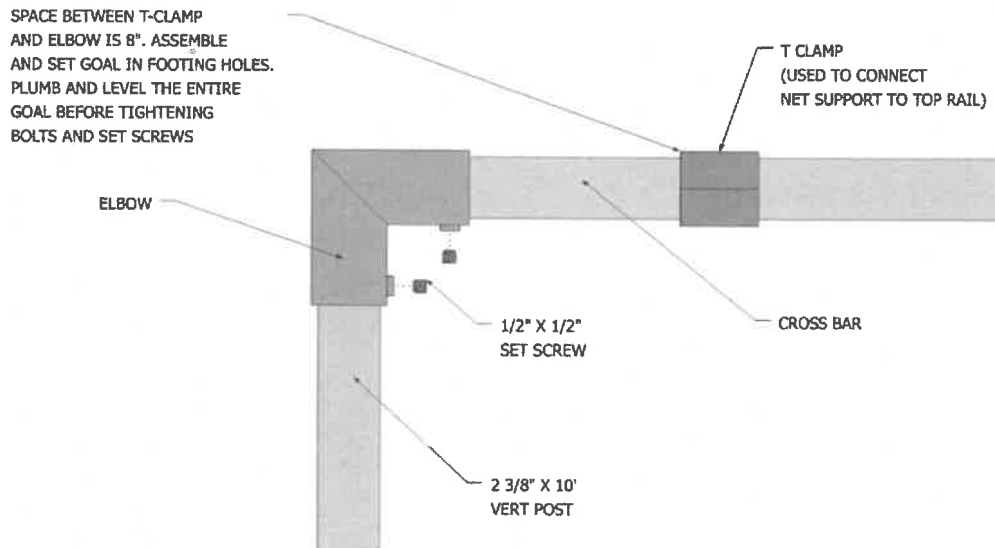
Page 3 of 4
Rev 10/22/10

NOTE: All threaded ends of bolts protruding beyond nuts must be cut off and/or peened to eliminate sharp edges. No more than two threads should extend beyond face of nut.
All washers, "T" nuts, and other fastener hardware used on round pipe or tubing must be hammered down to conform to the curved underlying surface to eliminate catch points.

DO NOT tighten nuts more than hand-tight until entire assembly is completed.

STEP #1: Assemble goals on the ground before digging footing holes

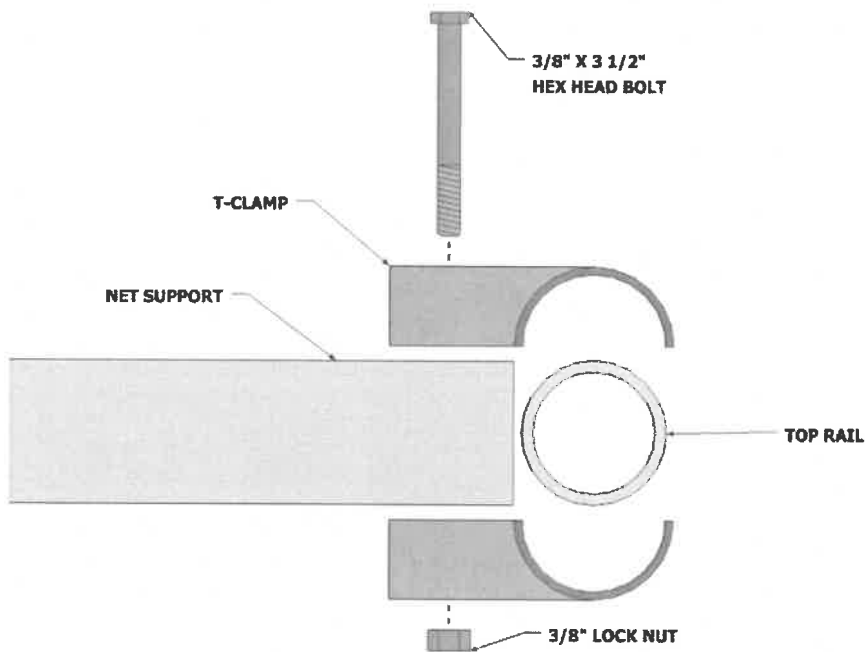
STEP #2: Attach 2 3/8 x 10' vertical posts to the 2 3/8" x 12' top rail with elbows. Insert 1/2 x 1/2" set screws and tighten.



561-505 Junior Soccer Goal (Pair)

Page 4 of 4
Rev 10/22/10

STEP #3: Attach Net Support to Top Rail with T-Clamps and insert 3/8 x 3 1/2" Hex Bolt. Do not tighten T-Clamps.



STEP #4: Stand goals upright. Tighten T-Clamps. Set goal in place and mark footing hole positions. Move aside and dig footing holes. (see footing side view on page 2)

STEP #5: Position goal in footing holes. Use braces, etc. to level and hold goal in place. Pour concrete. Crown footings 2-3" below playing surface. Let set 24-48 hours before use.

STEP #6: Attach net. Full size regulation net doubled over can be tied to posts using string or plastic ties.

MAINTENANCE INSTRUCTIONS:

Check periodically for loose bolts, broken parts and replace immediately.