

561-605 LaCrosse Goal - Permanent

Page 1
Rev 08/10/2004

IMPORTANT

PLEASE READ THESE INSTRUCTIONS BEFORE COMMENCING ASSEMBLY. All equipment must be installed in accordance with these instructions. Check your shipment against Bill of Lading and Parts list. Any missing or broken parts must be reported to your distributor within 10 days of receipt of your order. When properly installed and maintained, equipment will give many years of Safe, Trouble-Free use. Periodically check for loose or broken parts. Loose bolts must be tightened and broken parts must be replaced as they can possibly create dangerous situations leading to unnecessary accidents.



<u>PACKING LIST</u>				<u>HARDWARE BAG</u>		
1	CTN	1	Hardware Bag	4	196-807	3/8" x 3/8" Socket Set Screw
1	CTN	1	565-932 Net pair	10	905-517	3/8" x 12" Spike
4	PIPE	4	563-506 Upright	50	905-518	11" Wire Tie
2	PIPE	2	563-507 Cross Bar			

2 CTN

6 PIPE

8 TOTAL PCS

Weight

Class 70

SportsPlay Equipment, Inc., 5642 Natural Bridge, St. Louis, MO 63120 (314) 389-4140
www.sportsplayinc.com

561-605 LaCrosse Goal - Permanent

Page 2
Rev 08/10/2004

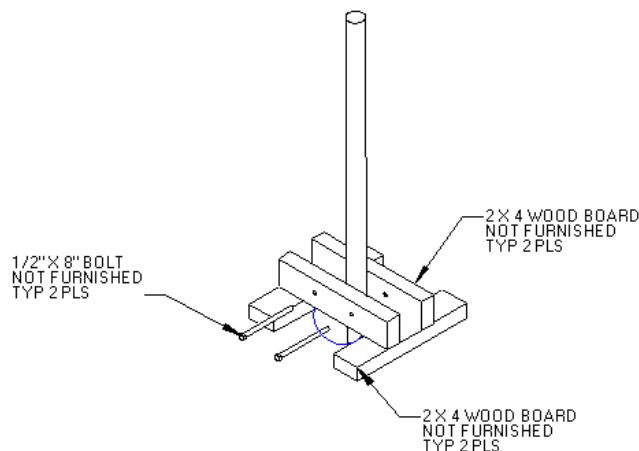
GENERAL ASSEMBLY INSTRUCTIONS:

1. Check each piece carefully and remove any sharp projections that may have been caused by shipping.
2. DO NOT Tighten nuts more than hand tight until entire assembly is completed.
3. All Threaded ends of bolts protruding beyond nuts should be cut off and peened over to remove any sharp edge.

SPECIFIC ASSEMBLY INSTRUCTIONS:

1. Assemble backstop on ground by attaching cross bar to uprights and positioning welded nuts to the BACK of the goal. Tighten the set screws using the 3/16" socket key.
2. Using the goal as a template, position it properly on the field and mark footing locations.
3. Set goal aside and dig holes 12" wide and 24 inches deep. Position goal in footing, plumb and level goal and brace, making sure the 6' x 6' inner opening of the goal is maintained.
4. Pour footings, crown for proper drainage, leaving 6" of space for surface backfill. Approximate concrete required - 4.7 cubic feet.
5. Allow 48 hours for concrete to set.
6. Attach nets using wire ties to frames.
7. Anchor net to ground using 12" spikes and wire ties.

SUGGESTED BRACING METHOD:



MAINTENANCE INSTRUCTIONS:

Check periodically for loose bolts, broken parts and replace immediately.