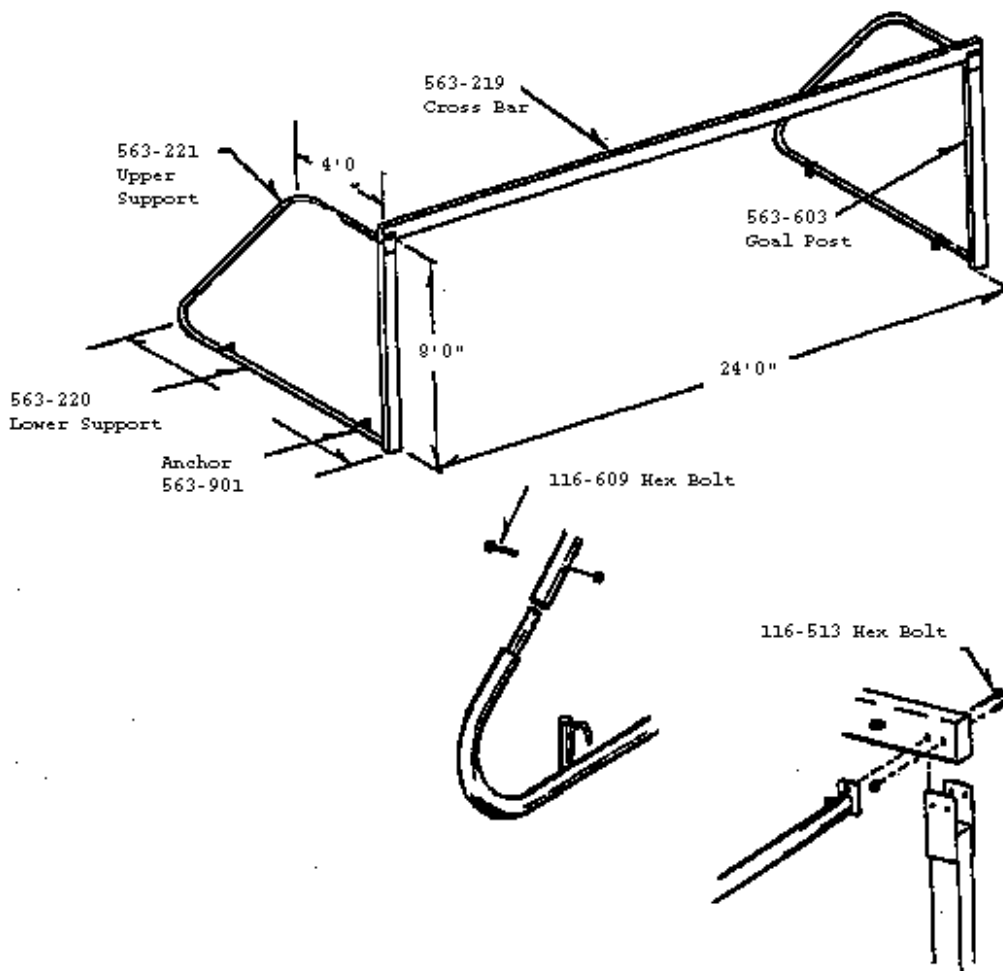


## 562-501 Portable Official Soccer Goal (pair)

Page 1 of 1  
Rev 05/16/03

Please retain this instruction sheet in your files. It contains important replacement parts information. All equipment should be installed in accordance with these instructions.



\*Cord to attach net supplied only if nets are ordered with the goals.

### PACKING LIST

1	CTN		Hardware Bag
4	PIPE	1 563-603	Goal Post
2	CTN	1 563-219	Cross Bar
4	PIPE	1 563-220	Lower Support
4	PIPE	1 563-221	Upper Support

### HARDWARE BAG

8	563-901	Anchor
2	337-303	*Black Cord x 100' Long
4	337-303	*Black Cord x 25' Long
8	116-513	5/16" x 3 1/4" Hex Head Bolt
4	116-610	3/8" x 2 1/2" Hex Head Bolt
4	116-609	3/8" x 2 1/4" Hex Head Bolt
8	226-601	3/8" Lock Nut
8	226-501	5/16" Lock Nut

7 CTN

8 PIPE

15 TOTAL PCS

WT 600#

CLASS 70