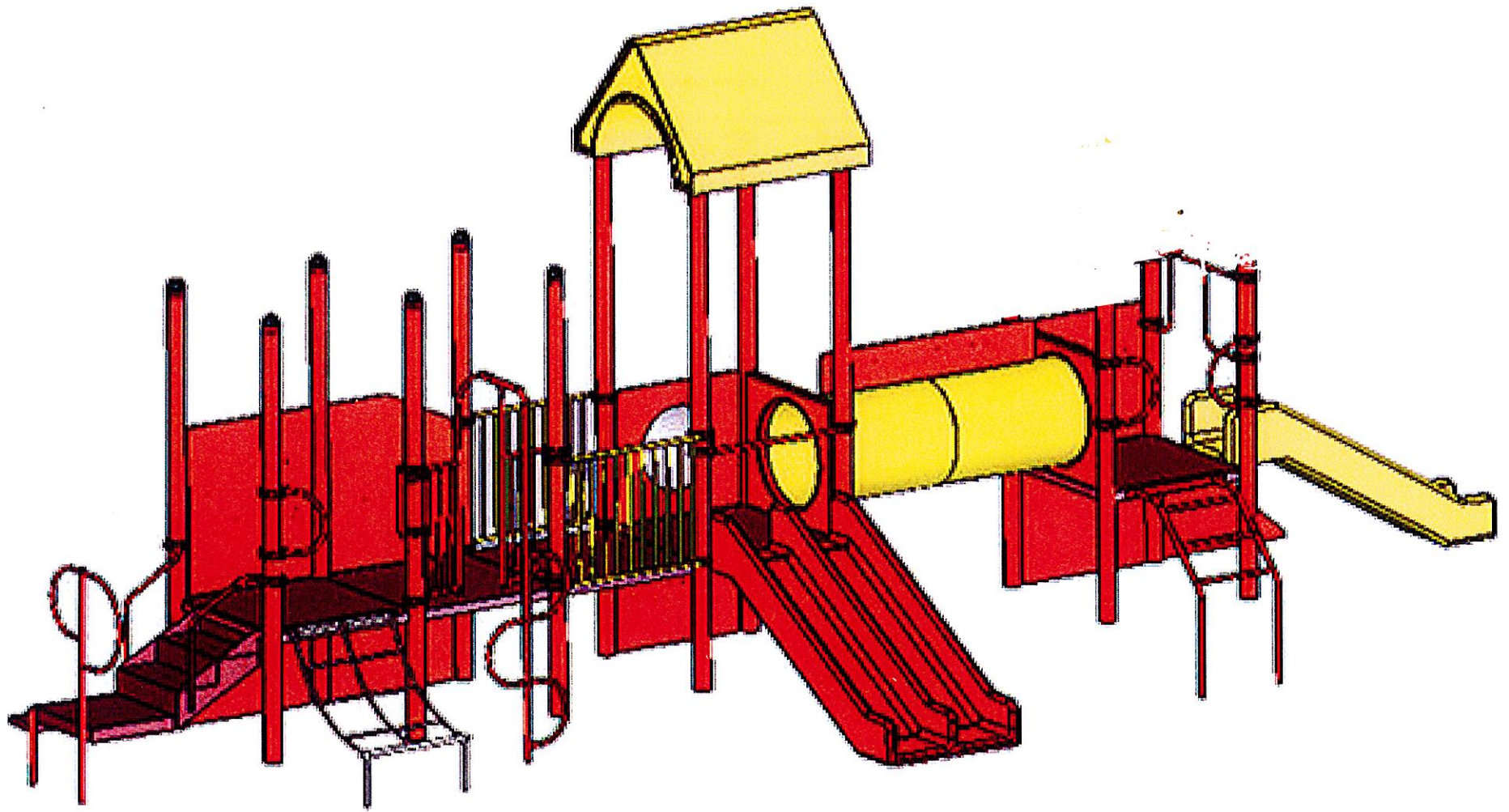


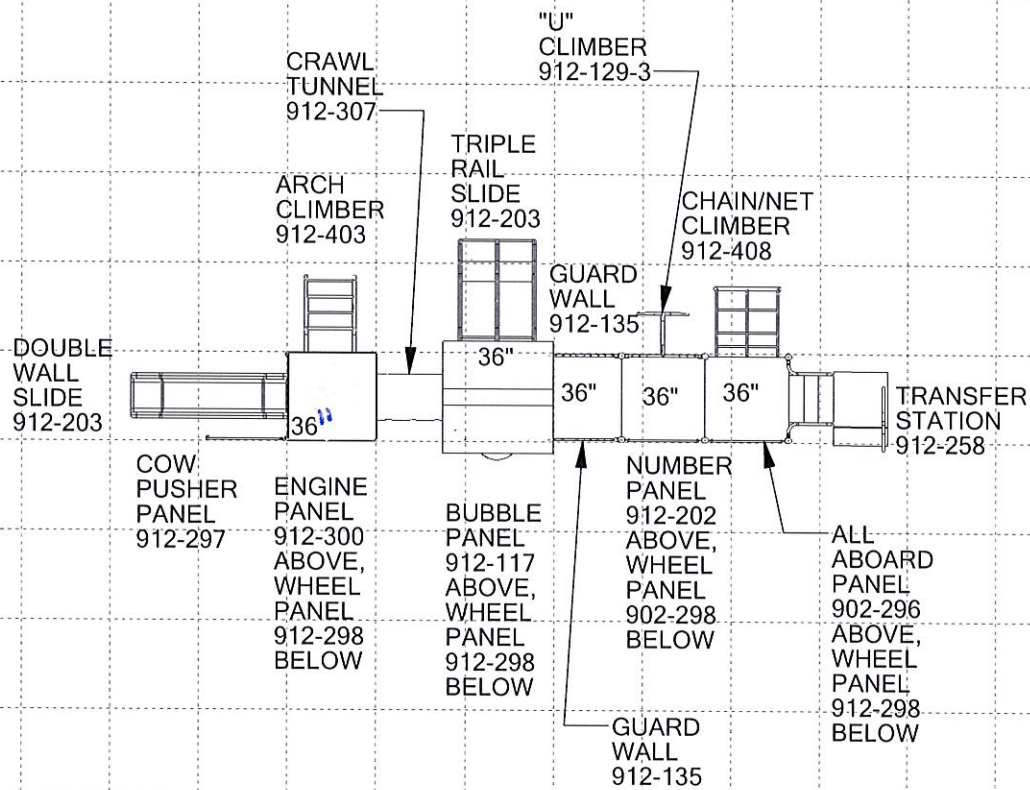


**911-230<sub>B</sub>Tot Town Express  
(Value)  
Modular Structure Installation  
Booklet**









**SportsPlay**  
 5642 Natural Bridge  
 800-727-8180  
 Fax: 314-389-9034  
 www.sportsplayinc.com

Size: 34.5' X 9.5'

Use Zone: 46.5' X 21.5'

Drawn By:

Candy

Date

07-17-08

CPSC: Compliant  
 ASTM: Compliant

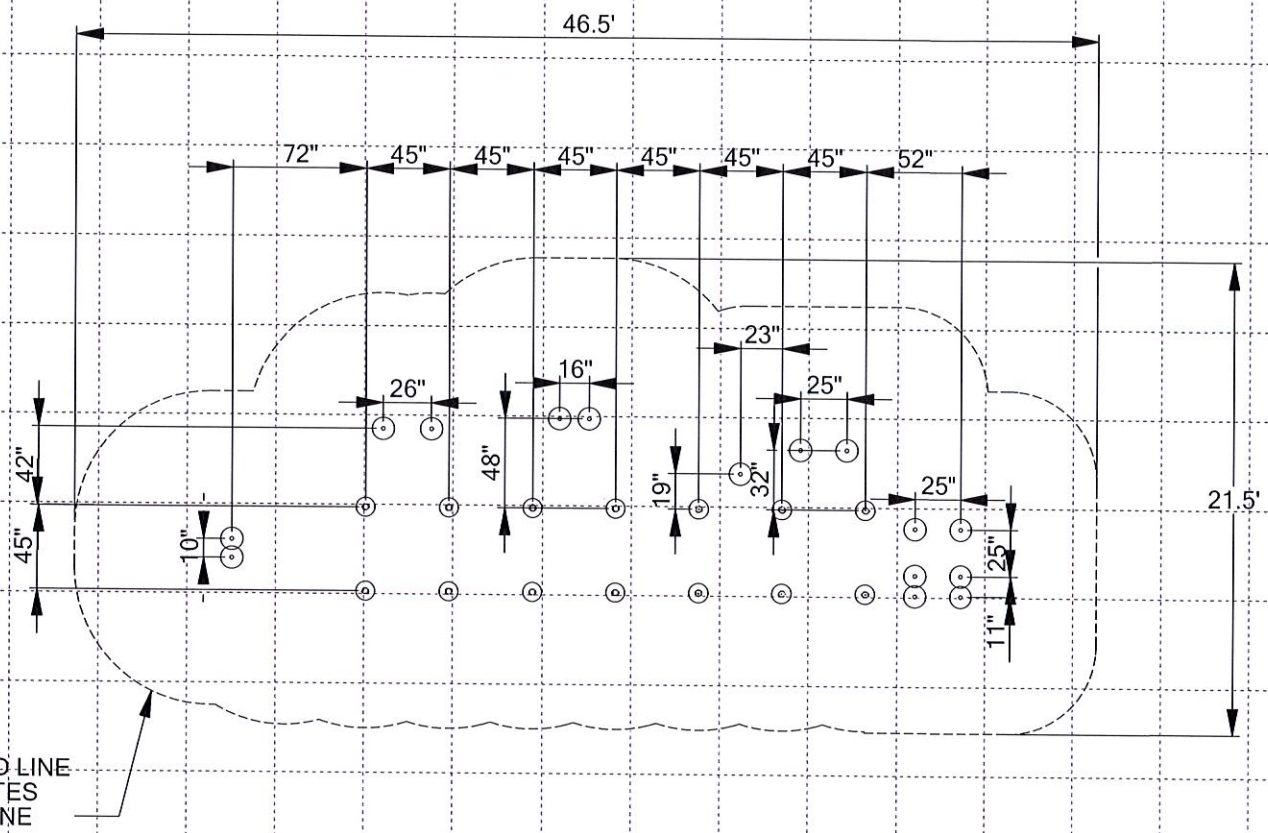
Project: Tot Town Express Value

Distributor: SportsPlay

Scale: 1:48

Sheet 1 of 1





1/2" = 4'



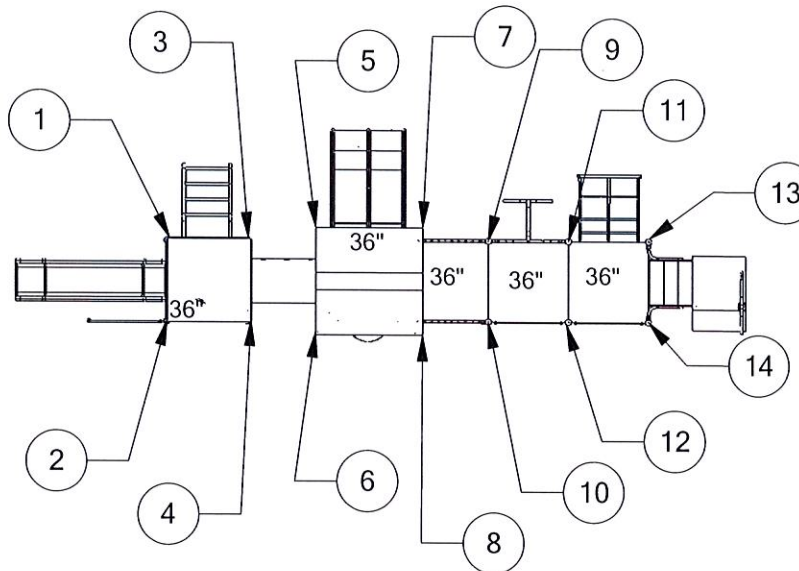
**SportsPlay**  
 5642 Natural Bridge  
 800-727-8180  
 Fax: 314-389-9034  
 www.sportsplayinc.com

Size: 34.5' X 9.5'  
 Use Zone: 46.5' X 21.5'

Drawn By:	Date:
Candy	01-22-09

CPSC: Compliant  
 ASTM: Compliant

Project: Order	
Distributor:	
Scale: 1:96	Sheet 1 of 1



1/2" = 4'



**SportsPlay**  
 5642 Natural Bridge  
 800-727-8180  
 Fax: 314-389-9034  
 www.sportsplayinc.com

Size: 34.5' X 9.5'  
 Use Zone: 46.5' X 21.5'

Drawn By:	Date
Candy	07-17-08
CPSC: Compliant ASTM: Compliant	

Project: Tot Town Express Value  
 Distributor: SportsPlay  
 Scale: 1:96      Sheet 1 of 1

5

4

3

2

1

## Tool and Material Checklist

- To dig holes, the best method is a tractor with an auger. Use a 12" auger bit. No matter what you use, there will be a considerable amount of hand digging as well
- Shovels, long handled spades
- Post hole diggers
- Wheelbarrows
- Large construction bar (generally 5' long).
- Spray paint, to mark ground holes
- Pry bar
- Claw hammers
- Large dead-blow rubber hammers
- Small (3lb) Sledgehammer, to use in blocking the posts
- 7/32", 3/6", 1/8" Allen wrenches: These are very important. Several different types are helpful (socket style, small "L" arm, wrench styles etc.)
- Vise grips, large, regular and needle-nose
- 3/4" and 1/2" and 9/16" sockets, both 1/2" and 3/8" drives
- 6' and 8' stepladders, strong ones
- Extension cords (also duplexes to run more than one cord)
- 1/2" drill and 3/8" drill
- 1/2" and 1/2" drill bits and 1/2" spade bits
- Levels: magnetic torpedo, 4' long etc. (as many as possible)
- Shims and blocks from scrap lumber and a saw to cut sizes on site
- Small, skinny, flat shims are helpful in raising posts etc. 2" by 4" and 2" by 6" and Plywood are also helpful
- Pencils and markers
- String line
- Bar clamp 4'
- Sometimes bracing material is helpful (2" x 4" x 6' studs with sturdy lag bolt/nut combinations)
- Files, sandpaper, wood scraps
- Stones
- Cement
- Surfacing
- One brick per post



## Introduction

### **BEFORE STARTING INSTALLATION OF YOUR PLAYGROUND, PLEASE READ INSTRUCTIONS THOROUGHLY.**

#### **SITE REQUIREMENTS:**

The Playground system is designed to suit a level site. Should there be any falls or slopes on the site; care should be taken to accommodate the entry and exit points and to maintain the correct height. There should not be more than 3" of drop in grade per every 10'.

The site must be inspected for adverse conditions:  
All sites must be checked for existing utilities such as electricity, gas, water or any other underground hazards. 1-800-DIG-RITE is the number to call to have the services located.

1. Roots, rocks, or other natural obstacles that may pose as a trip hazard.
2. Poor drainage areas.
3. Broken glass or foreign objects around building site.

#### **MAINTENANCE:**

As an owner, it is most important that you are aware of your responsibility to insure safe use of your new equipment. It is necessary to install equipment correctly according to the installation instructions provided and inspect the equipment at regular intervals. During inspection, if any part is found damaged or excessively worn, equipment should immediately

be put out of service while the part is replaced. Lack of maintenance will result in premature wear, reduced life expectancy, and possible failure that might result in injury.

All SportsPlay Equipment play events have been engineered to meet all applicable safety guidelines, but if installed improperly, these problems may occur:

- Entrapment gaps (between 3 1/2" and 9")
- String Entanglements
- Protrusions

Make sure that any bolt end that protrudes more than 2 threads past the face of the nut is trimmed and deburred smoothly. Always double-check your work.

Installation must adhere to the manufacturers assembly manual and all other applicable safety guidelines.

#### **PLAY AREA:**

The area immediately above and around the play structure must be free of any obstructions such as:

- Trees
- Other Play Equipment
- Buildings
- Overhead Power lines

**Make sure the play area has all the required safety surfacing and the minimum fall zones as required by the safety guidelines. These guidelines can be found at [www.cpsc.gov](http://www.cpsc.gov).**

**CHILDREN MUST BE SUPERVISED AT ALL TIMES.  
No playground is safe without adult supervision!**

## Quick Guide

**SITE** – Make sure the area of installation is relatively level, free of obstacles and underground utilities. If a slope exists, care must be taken to accommodate entry and exit areas to insure they maintain the correct heights. Call 1-800-DIG-RITE to have a technician check the area for underground utilities. This service is free.

**MATERIAL INVENTORY** – Locate your Component Checklist and the 2d top down drawing included in the instructions. Use both to identify, inventory and best position the parts around the perimeter of the area. If you find damaged or parts missing, contact your SportsPlay Distributor immediately.

**INSTRUCTIONS** – Thoroughly read the instruction booklet BEFORE beginning the installation. Pay special attention to the pages describing post and deck installation. These are the ‘bones’ of your playground. If they are not properly installed, the remaining events will not install correctly. **KEEP THESE INSTRUCTIONS ON FILE.**

**TOOLS** – Locate the Tools Checklist in the instructions. Make sure all necessary tools are available at installation time. If you are using volunteers, send a note to them that includes the tool list. You may be able to borrow most items instead of renting.

**SUPPLIES** – Set your installation date and order supplies from your local building center. You will need some flat

concrete stones for blocking holes, some scrap lumber for bracing and cement. You can figure about 2 80# concrete bags per hole.

**DECK LAYOUT** – Find the grid drawing in the instruction booklet. Decide which way to orient the structure. ALL fall zone measurements **MUST** be accommodated. Locate the lowest deck on the drawing. You can start laying out the structure by placing the lowest deck on the ground and then double check your measurements. Measure twice, install once! Consult the instruction booklet for post and deck installation instructions.

**BRACING** – As the decks and kick plates are installed, be sure to level the posts and place braces in the holes to keep them from shifting. Periodically, plumb and level all posts as you work your way around the playground.

**COMPONENT INSTALLATION** – Consult the instruction booklet for separate installation instructions for each component on your playground. Begin installing from the lowest deck in a clockwise rotation around the structure back around to the starting deck. Tighten panels as you go, making sure to plumb and level posts.

**VISUAL INSPECTION** – After all components are installed and tight, do a visual inspection to ensure the panels and posts are level, in the proper place, and look good with respect to one another. Once satisfied, you are ready for concrete.

**CONCRETE** – Mix the concrete according to the directions. DO NOT mix directly in the hole. Fill each hole to within 2 inches of the original surface. Crown for drainage, and cure 48 hours.

**SECURE AREA** – Fence off or lock area to insure that NO ONE can play on the playground until it is completely finished. You may consider contacting local law enforcement to inform them of the new installation and ask them to check the area frequently during the night.

**BACKFILL AND CLEANUP** – 48 hours after pouring cement, backfill all of the holes with dirt to the original ground level and make sure the area is free of any tools, hardware, or sharp objects.

**SURFACING** – Use the chart on page 8 to decide how much safety surfacing is required. Before spreading loose fill surfacing, be sure to install a weed barrier outside the fall zone dimension, then spread the safety surfacing.

**LAST THING** – Make one more tour around the playground and physically make sure all hardware is tight.

**OPEN FOR PLAY** – After the safety surfacing is installed and the hardware has been checked for tightness, your playground is ready for play.

**MAINTENANCE** - Consult your instruction booklet for the maintenance checklist. Schedule and complete periodic maintenance checks of the entire playground. If any hardware is worn, or any item missing or broken, close the playground and contact your SportsPlay distributor for replacement parts.

Check resilient surfacing depths, move or add additional surfacing if necessary. Make sure the playground area remains free of obstacles, broken glass or other sharp objects.



## Safety Surfacing/Fall Heights

You must consider the type of safety surfacing you will use before beginning the installation process. There are two general types, organic/loose fill or synthetic unitary. Both materials have advantages and disadvantages and it is likely that your client's budget will dictate the material of choice. Always have all options available as product quality and long-term performance may cause your client to reevaluate their original budget.

When installing a unitary safety surfacing material such as rubber mats or poured-in-place, you will need to pour a concrete slab so that the rubber material can be secured. This type of product cannot be placed on dirt.

If a loose fill surface such as wood chips is selected, you will need to consider containment borders. There are many products to choose from including hard plastic and natural products such as wood. Creosoted railroad ties are NOT recommended. Loose fill materials like wood chips are easily displaced, so 12" deep is generally satisfactory. Also remember that loose fill will compress with repeated use.

Weed mat: Some use a landscaping fabric material that allows drainage but prevents weed growth. Weed mats are installed after the structure is installed but before the resilient surfacing is installed.

Borders: Building borders above ground, below grade, or on grade depends upon the area in which you live. Assuming you must use 12" of resilient surfacing, there are three basic types of installation:

1. 12" below existing grade
2. 6" below and 6" above existing grade
3. 12" above existing grade

The tallest deck on the unit generally defines the maximum fall height of a structure. If upper body equipment (horizontal ladder) is attached, the fall height is then the distance from the highest part of the equipment to the protective surfacing. Refer to the Top Down View to determine the maximum fall height.

Since the structure will be installed at dirt grade, the height of the resilient surfacing must be determined and factored into the height of installation of decks. For example, if the resilient surfacing will be 12" deep, a 3' deck height will actually install at 4'. When the structure is completed and the surfacing is installed, the deck then will be 3' above the level of the resilient surfacing.

**Safety Surfacing Chart**

Chart taken from The Handbook for Public Playground Safety written by the U.S. Consumer Product Safety Commission (CPSC) page 5 (www.cpsc.gov).

**Table – Critical heights (in feet) of Tested Materials**

<b>Material</b>		<b>Uncompressed Depths</b>		<b>Compressed Depths</b>
	6"	9"	12"	9"
<b>Wood Chips</b>	4	10	11	10
<b>Double Shredded Bark Mulch</b>	6	10	11	7
<b>Engineered Wood Fibers</b>	6	7	>12	6
<b>Fine Sand</b>	5	5	9	5
<b>Course Sand</b>	5	5	6	4
<b>Fine Gravel</b>	6	7	10	6
<b>Medium Gravel</b>	5	5	6	5
<b>Shredded Tires</b>	10-12	N/A	N/A	N/A

These directions are written based upon a depth of 12" of resilient surfacing.

Do not forget to calculate the compressed resilient surfacing depth needed and adjust your "dirt grade height" accordingly.

## Punch List

### Step 1: Layout

1. Lay decks on ground in the desired location based on topview layout and measure from all corners to insure there is adequate room. (Refer to Grid Drawing pg. 11)
2. Most installers usually like to orientate the playground so that the entry point of the playground is facing either the sidewalk or the direction from which the children are coming.

### Step 2: Holes

1. Mark the locations of all post holes by laying out all the decks in the correct orientation. Make sure all the decks are touching each other and flush on the edges. Then use the center point of each deck corner and marking them with paint or a wooden stake.
2. After the holes are marked, move the decks out of the digging area and dig the first four holes per the footing drawing on page 12.
3. Fill or dig the depth of 1 main hole to what is required; this hole will be used to get the other three holes the same depth in reference to each other. Make sure the hole is flat and tamped solid, then place a small piece of plywood or brick in the bottom. You must take this in account when determining the hole depth.
4. Now, if possible, use a transit to maintain the same hole depth on the remaining three holes, if you don't have access to a transit, then park a line on the first post about two inches above the dirt level. Then measure up from the bottom of the post to this mark and mark a line

on the other three posts at the same distance. Now use a four-foot level across to each line, raising or lowering as necessary to make the lines level. Repeat this for the remaining two posts.

### Step 3: Deck and Post Installation

1. Begin by installing the lowest deck and go up from this one. Measure deck height plus the amount of safety surfacing and make a mark on the post, this is the height of the deck clamps, for example if the deck is to be 36" high and you are planning on adding 12" of safety surfacing then the height from the dirt would be 48". All other decks heights will also be the labeled height plus the amount of surfacing.
2. Install a deck clamp per instruction page 15. Tighten all hardware.
3. Now make sure that you have two other helpers and the required deck clamp hardware.
4. Stand the correct posts into the holes and lift the deck on top of the clamps and install hardware. Be sure to brace the posts to keep them from moving.
5. Continue building the main structure by adding the overhead climber, kickplates and other decks and posts per the illustration until all the decks, kickplates, and posts are installed. Make sure the posts are level as you tighten the hardware, this will make the component installation much easier.
6. It may be necessary to brace the deck and posts with lumber to make sure they stay in place and level. Also make sure the deck was installed level.



#### **Step 4 – Component Installation**

1. Begin installing the components by working from the lowest deck around to the highest deck. Install the components in either a clockwise or counter clockwise rotation.
- 2.

#### **Step 5: Concrete**

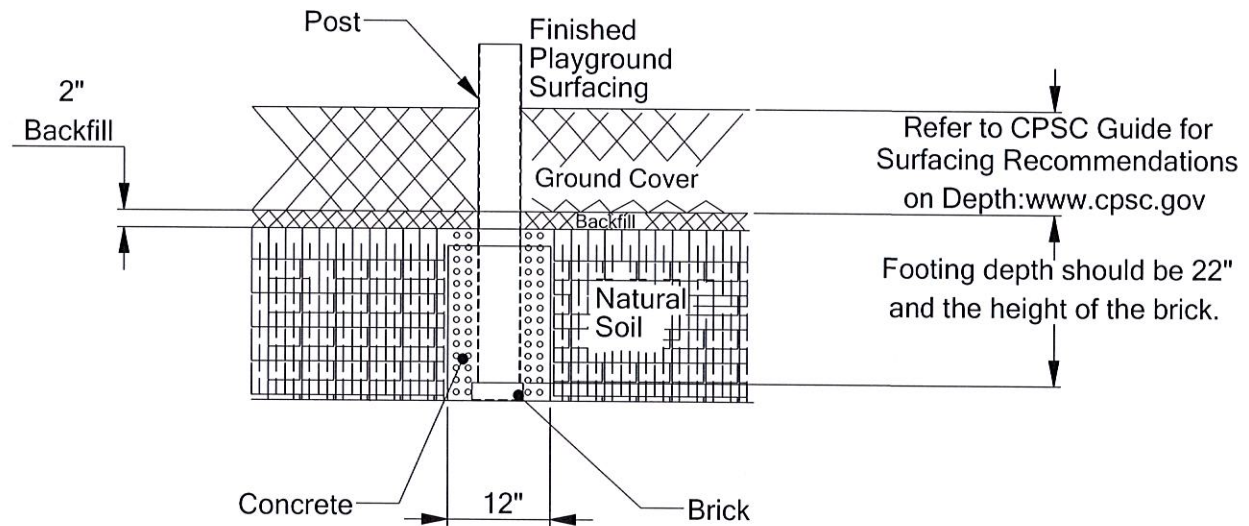
1. Once all components and posts are tight and level, you may concrete. A good rule of thumb is two 80 lb. bags of concrete per hole. Do not “dry bag” the concrete, always mix per instructions on concrete bag. Be sure to leave concrete about 2” from the top of the ground to allow backfill.
2. Be sure that all splattered concrete is washed off of the posts and components while it is still wet.
3. Block off installation area for at least 48 hours.

#### **Step 6: Final after 48 hours**

1. Return in 2 days to backfill concrete, drill and install drive (roll) pins per instructions, and install safety surfacing.
2. Inspect all components to insure the hardware is tight and all panels are level.
3. Make sure all tools and dropped hardware are removed from play area.
4. Open the playground.

# 3.5" Post Footing

Side View of installed Post



## 3.5" Post Footing

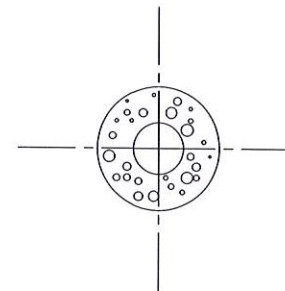
### Post Installation:

Footing size may vary due to local soil and weather conditions. Base of footing **MUST** be below the frost line.

- Mark holes and dig by laying the deck on ground and using it as "jig". Place (4) deck clamps, one per corner, spray paint through middle of clamp onto ground. This marks where the centers of the postholes should be.
- Install the red plastic ends caps on post bottoms.
- Dig holes straight down, with a flat bottom and 12" wide making sure to dig holes wide and not cone shaped.
- **Hole depths are 22" deep plus blocking.**(this depth changes slightly with grade).
- Place a brick or block in the bottom of the hole. **Post Depth in concrete varies based upon surfacing used. (see side view of installed post)**
- Post is placed on top of the brick.
- If the bottom is not flat and roomy, there will be no room to adjust. It is much easier to have too much room rather than not enough.
- You can dig by hand using a posthole digger but a tractor with a 12" auger will make the task much easier.
- Post tops should be level with one another.
- **USE A LONG, HEAVY CONSTRUCTION BAR** to adjust levels of posts, legs, etc. **DO NOT** try to level by pushing posts at shoulder or waist length. Carefully bump the posts at the bottom **IN THE DIRECTION YOU WANT THE POST TO GO.**

- Remove the deck and clamps from the area.
- Block the posts into center of holes when posts are on bubble. Use scrap lumber and wedge to solidify the posts in their holes as you level the posts. Re-blocking may be necessary at times in order to achieve level. You may also have to widen your holes if they are not dug on center.

Top down view of post set into hole.



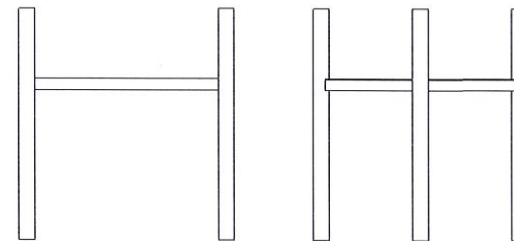
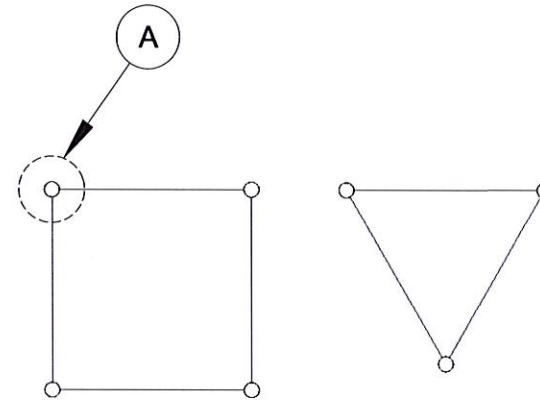
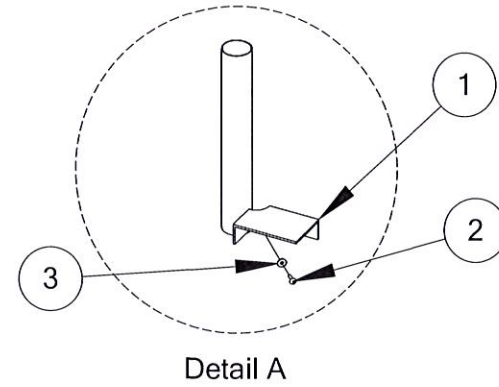


## SQUARE DECK 912-334

ITEM NO.	PART NUMBER	DESCRIPTION	QTY.
1	905-903	Square Deck	1
2	126-703	3/8" x 1" Button Head Bolt	8
3	316-601	3/8" Flat Washer	8

## TRIANGLE DECK 912-333

ITEM NO.	PART NUMBER	DESCRIPTION	QTY.
1	905-904	Triangle Deck	7
2	126-703	3/8" x 1" Button Head Bolt	1
3	316-601	3/8" Flat Washer	1





# SQUARE AND TRIANGLE DECKS

912-333  
912-334

## Deck Plan:

The deck(s) connect to the main upright posts using nuts factory installed in the post according to the specifications found on the Top Down View.

## INSTRUCTION:

These are two methods:

The BEST method is to make a table or stand to place your deck on at the required deck height. The table will stabilize the deck so you can level it.

You can make a table from sawhorses.

Deck stand or table holds deck while you build around it.

Block stabilize the posts while table stabilizes the deck.

The second method is to use two people to hold the deck at the required height and attach the bolts through the deck to the post. The decks bolts directly to the post through the factory installed riv-nuts. Use the 3/8" x 1" button pinned stainless steel bolts with a washer through the holes in the corners of the decks. There are two holes in each corner to bolt through. The deck and posts will stabilize more as you add components.

## SPECIFICATIONS:

Event: Steel Decks are constructed of 12 ga. perforated steel.

Paint: Oven cured plastisol.

Hardware: Stainless steel tamper resistant.

## MAINTENANCE:

Touch up any marred paint surfaces.  
Periodically check hardware for integrity and tightness.

Sheet 2 of 2



# TRIPLE RAIL SLIDE

912-203  
912-204

ITEM NO.	PART NUMBER	DESCRIPTION	QTY.
1	912-203 912-204	Triple Rail Slide 3' Triple Rail Slide 4'	2
2	913-416	Triple Rail Slide Guard	1
3	913-402	4 Hole Attachment Bracket	4
4	905-208	Gasket for Attachment Bracket	4
5	905-526	1/4" Self Tapping Pinned Screw	16
6	196-807	3/8" x 3/8" Socket Set Screw	4
7	903-214	Slide Leg	2
8	126-702	3/8" x 3/4" Buttonhead Bolt	4
9	316-601	3/8" Flat Washer	16
10	126-701	3/8" x 1-1/4" Buttonhead Bolt	4
11	126-704	3/8" x 3" Buttonhead Bolt	2
12	226-602	3/8" Nylon Lock Nut	6
13	905-204	Slide Adapter	1

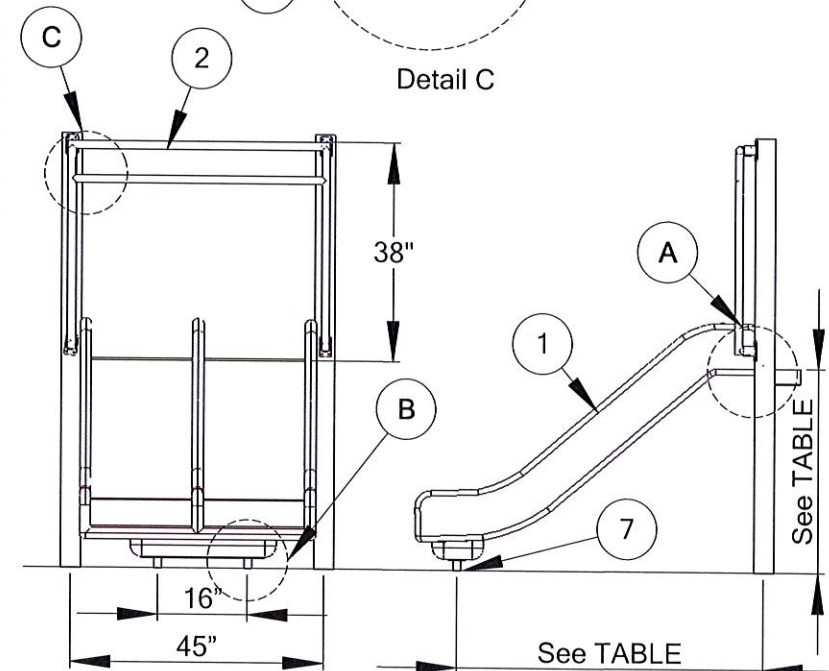
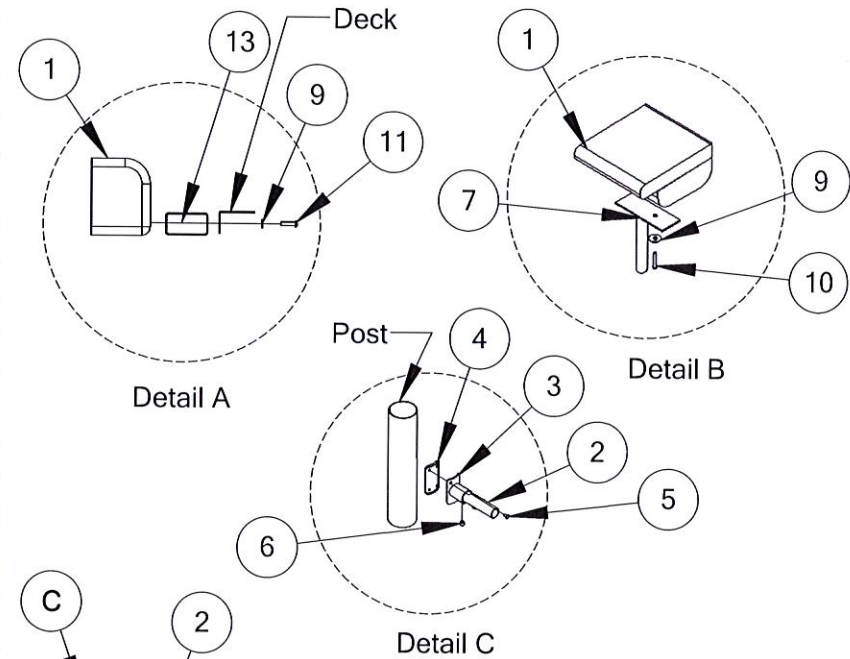


Table	
Deck Height	Post/Footing Height
36"	48"
48"	88.5"





# TRIPLE RAIL SLIDE

912-203  
912-204

## Triple Rail Slide Plan:

The Triple Rail Slide connects to the deck via a thermoplastic coated connector plate. The connector plate attaches to the top of the deck holes which are 15" apart on center. The slide legs are attached to the underneath of the exit end of the slide.

## INSTRUCTIONS:

- Mark (2) ground holes for the slide legs by placing the slide onto the deck, spray paint the ground to mark leg positions, and then remove the slide. (the legs are not attached to the slide yet).
- Install the slide leg on the bottom of the slide with (4) 3/8" x 3/4" button head bolts.
- Install the slide with legs attached into the ground holes first, then to the deck.
- Re-bar goes through the holes in the bottom of the legs.
- The connector plate attaches to the deck when it is 90 degrees to the deck and any adjustments have been made to the ground holes.
- Connect the adaptor plate with (4) 3/8" x 1-1/4" button head bolts, no washer on top, and 3/8" washer and lock nut on bottom to the deck, and (2) 3/8" x 3" button head bolts to connect slide to adaptor.
- Position the Triple Rail Slide Guard so that the top rail is 38" off of the top of the decking surface.
- Install using the four attachments brackets with gaskets between the post and bracket.

## SPECIFICATIONS:

Event: Triple Rail Slide shall be constructed of 3/8" double wall construction has thermoplastic coated connector plate to deck with double slide legs and re-bar to ground. Has 2 slide beds with 4" high sideways. Comes with slide guard brackets and hardware.

Hardware: Stainless Steel tamper resistant.

## MAINTENANCE:

Touch up any marred paint surfaces.  
Periodically check hardware for integrity and tightness.  
Superficial scarring of the plastic can be 'healed' by gentle use of a heat gun or torch.



# 3', 4', & 5' DOUBLE WALL STRAIGHT SLIDE

912-213, 912-214  
912-215

ITEM NO.	PART NUMBER	DESCRIPTION	QTY.
1	912-213 912-214 912-215	Double Wall Slide	1
2	913-415	DW Slide Guard 3.5" System	1
3	903-214	T-Leg	2
4	913-401	2 Hole Attachment Bracket	4
5	905-208	Gasket for Attachment Bracket	4
6	905-526	1/4" Self-Tapping Pinned Screw	8
7	126-706-BPS	3/8" x 1-3/4" Button Pinned SS Bolt	2
8	316-601	3/8" Washer	6
9	126-702	3/8" x 3/4" Button head Bolt	4
10	196-807	3/8" x 3/8" Socket Set Screw	4

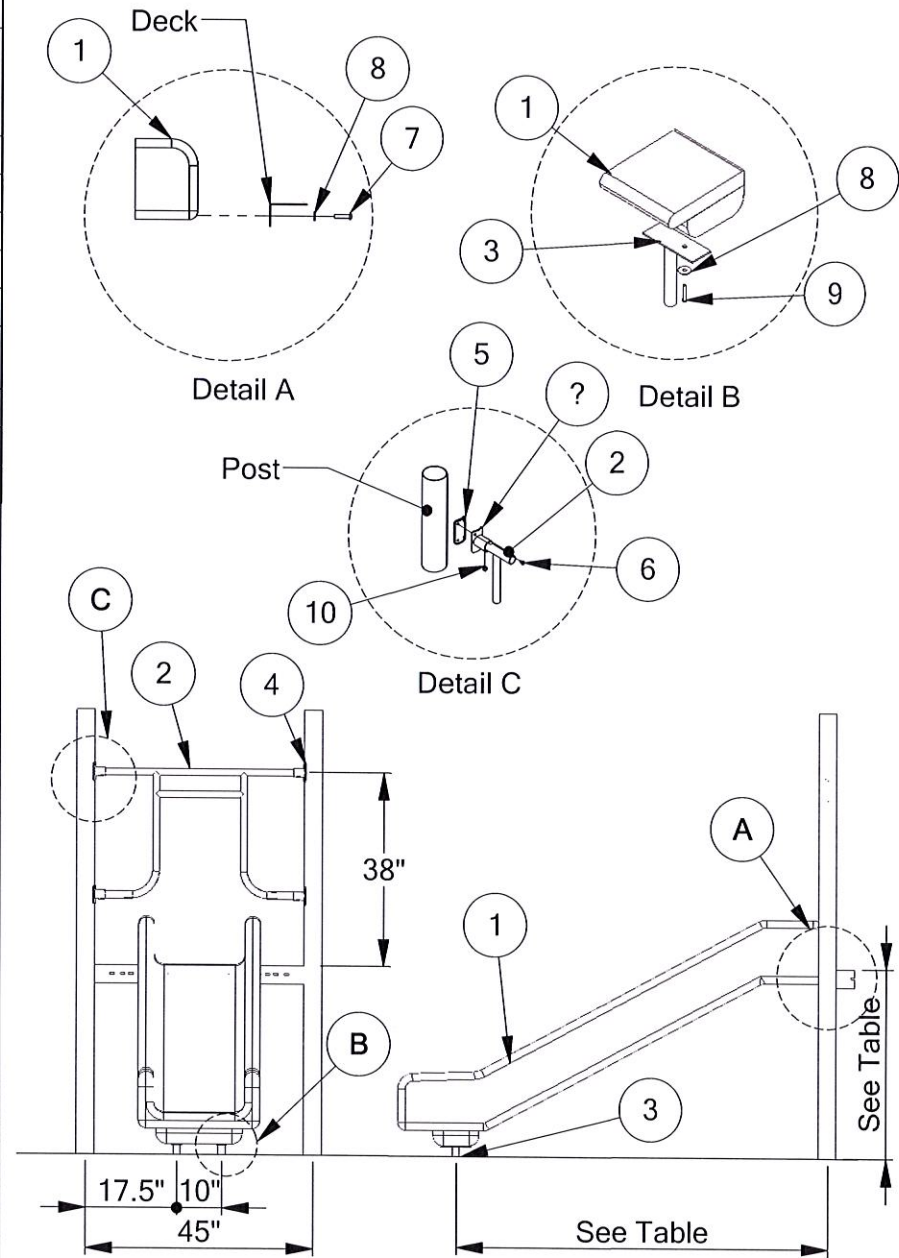


Table	
Deck Height	Post/Footing Distance
36"	72.5"
48"	94"
60"	105"





# 3', 4', & 5' DOUBLE WALL STRAIGHT SLIDE

912-213, 912-214  
912-215

## Double Wall Straight Slide Plan:

The Double Wall Slide attaches to the deck by bolting through the back of the slide and the deck sidewall. See the Assembly View for placement.

## INSTRUCTIONS:

- Underneath the 'foot' of the slide there are two sets of threaded inserts into which the slide legs attach.
- Using your slide as a template, mark the ground holes for the slide legs making sure that the holes in the back of the slide are aligned with the holes in the deck. Prop the 'foot' of the slide up and mark hole locations.
- Dig one hole for both legs 12" wide by 20" long and 24" deep.
- Connect the slide legs to the threaded inserts with four 3/4" x 3/8" button head bolts.
- Place the bottom end of the slide with installed legs and re-bars through the hole in the bottom of the slide legs into the ground.
- Carefully tip the top of the slide back onto the deck.
- Connect the slide to the deck with two 3/8" x 1-3/4" button head bolts, with a washer on top, through the deck sidewall to the back of the slide. Place a level over the bottom to be sure it is on bubble, block and level.
- Install the slide guard with for attachment brackets over the deck entry on the "deck side" so that the top of the guard is approximately 38" above the deck.

## SPECIFICATIONS:

Event: Double Wall Straight Slide is 3/8" wall, rotationally molded, 24" wide slide bed with 6" high side rails. Metal brackets are powdercoated.

Paint shall be electrostatically applied oven cured powdercoat.

Hardware: Stainless tamper resistant.

## MAINTENANCE:

Touch up any marred paint surfaces.  
Periodically check hardware for integrity and tightness.





# ARCH CLIMBER

912-403, 912-404,  
912-405

ITEM NO.	PART NUMBER	DESCRIPTION	QTY.
1	913-404-3 912-404-4 912-405-5	Arch Climber 3' Arch Climber 4' Arch Climber 5'	1
2	913-412	Small Hand holds	2
3	913-402	4 Hole Attachment Bracket	4
4	905-208	Gasket for Attachment Bracket	4
5	905-526	1/4" Self Tapping Pinned Screw	16
6	196-807	3/8" x 3/8" Socket Set Screw	4
7	316-601	3/8" Flat Washer	6
8	226-602	3/8" Nylon Lock Nut	3
9	126-701	3/8" x 1-1/4" Button Head Bolt	3

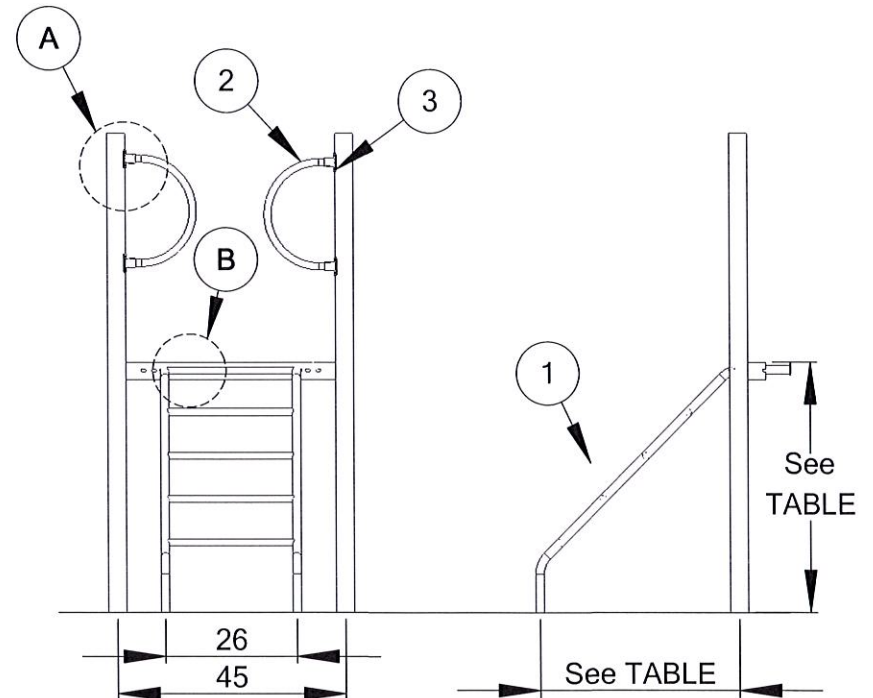
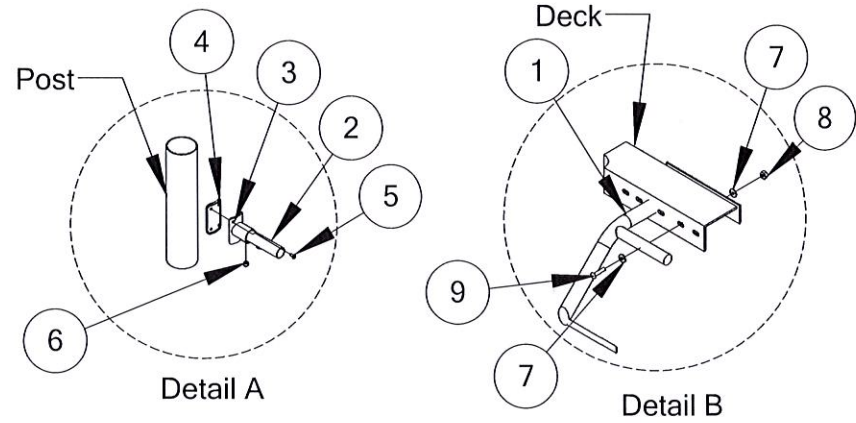


Table	
Deck Height	Post/Footing Distance
36"	42"
48"	50"
60"	58"



# ARCH CLIMBER

912-403, 912-404,  
912-405

## Arch Climber Plan:

The Arch Climber attaches at deck level and is secured at ground level. Separate handholds are included. See the Front and Side Views for placement.

## INSTRUCTIONS:

- Dig 2 holes 12" in diameter and 24" deep based on the measurements from the front and side views.
- Raise the climber and set into the holes and bolt the climber through the face of the deck.
- Install rebar and concrete. Then install hand holds.

## SPECIFICATIONS:

Event: Arch Climber is Galvanized coated steel.

Paint shall be electrostatically applied oven cured powdercoat.

Hardware: Stainless steel tamper resistant

## MAINTENANCE:

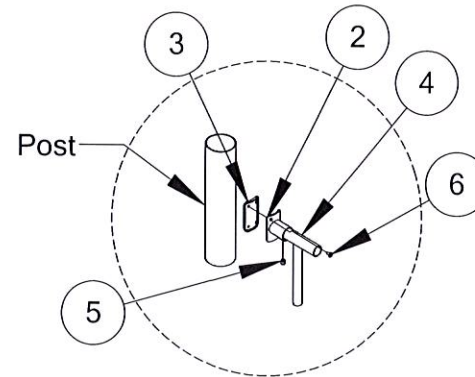
Touch up any marred paint surfaces.  
Periodically check hardware for integrity and tightness.



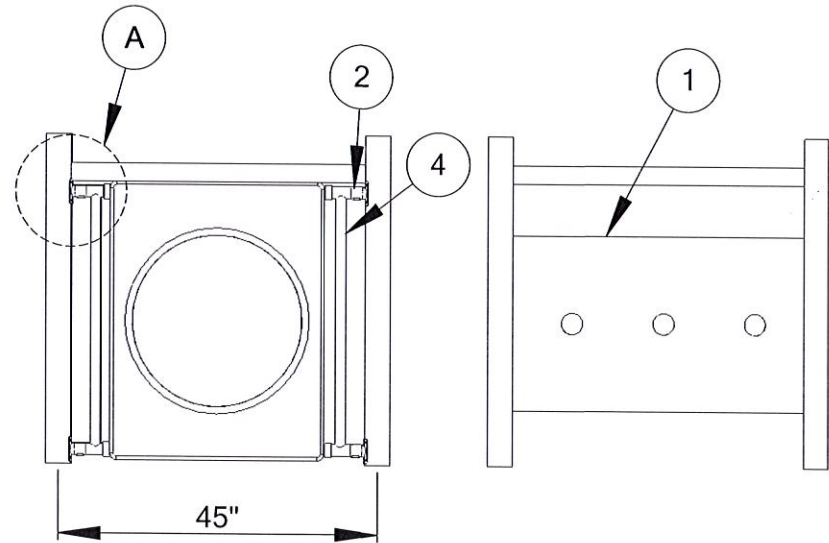
# CRAWL TUNNEL

912-307

ITEM NO.	PART NUMBER	DESCRIPTION	QTY.
1	435-638	Crawl Tunnel	1
2	913-401	4 Hole Attachment Bracket	8
3	905-208	Gasket for Attachment Bracket	8
4	913-429	Spacer Bar Set	2
5	196-807	3/8" x 3/8" Socket Set Screw	8
6	905-526	Torx Self Tapping Screw	32
7	105-020	1-3/8" Aluminum Collar	8



Detail A





## Crawl Tunnel Plan:

The Crawl Tunnel connects to the playground above, or below the deck to the center of the post using Tamper Resistant Screws. Consult your 2d drawing for proper placement.

## INSTRUCTIONS:

- To install the panel first sleeve the spacer bar set together in the panel. The aluminum collars should be set so that once the spacers are sleeved all the way together, there is no gap between the collar and the panel.
- Now install the panel to the post using the 4 hole attachment brackets with gaskets between the brackets and the post to prevent moisture buildup.
- It is easiest to use blocks to set the tunnel so there is **no more** than 3-1/2" between the panel and the nearest edge of the deck. Installation above or below deck requires the same distance between the panel and deck. This measurement is **CRITICAL** for the safety of the users.
- The spacers should be set so that there is no more than 3-1/2" between the spacer and the posts as well.
- Bottom of panel should be at least 12" off dirt grade when installed below deck level.
- It is helpful to install with a couple of equal size shims under the panel to help hold the wall in position, and to tighten the set screws in the brackets to keep them from spinning when the setting bracket to the post.

## SPECIFICATIONS:

Event: Crawl Tunnel shall be constructed of 4' plastic linear low density 3/8" wall tunnel has 2 rotationally molded, high density, U.V. stabilized end panels that are toggle bolt connected. Metal brackets are powdercoated.

Paint shall be electrostatically applied oven cured powdercoat.

Hardware: Stainless steel tamper resistant.

## MAINTENANCE:

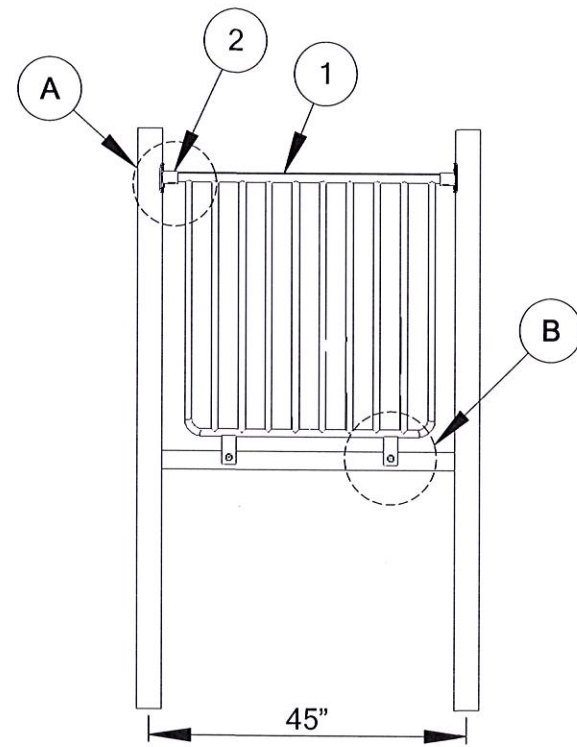
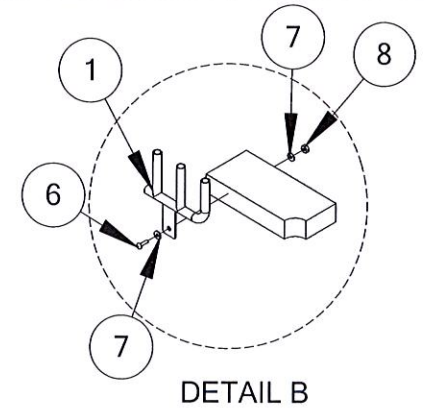
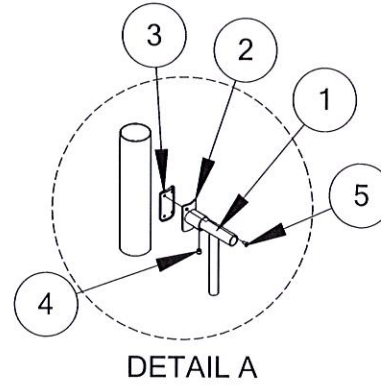
Touch up any marred paint surfaces.  
Periodically check hardware for integrity and tightness.



# GUARD WALL

912-135

ITEM NO.	PART NUMBER	DESCRIPTION	QTY.
1	913-420	Guard Wall	1
2	913-401	2 Hole Attachment Bracket	2
3	905-208	Gasket for Attachment Bracket	2
4	196-807	3/8" x 3/8" Socket Set Screw	2
5	905-526	1/4" Self Tapping Pinned Screw	4
6	126-701BPS	3/8" x 1-1/4" Button Pin SS	2
7	316-601	3/8" Flat Washer	4
8	226-602	3/8" Nylon Lock Nut	2



## Guard Wall Plan:

The Guard Wall attaches above the deck directly to the deck on bottom and to the post on top.

## INSTRUCTIONS:

- Install the wall to the front of the deck using the two 3/8" x 1-1/4" Button Pin stainless steel bolts, with a 3/8" washer on the bolt and one with the 3/8" nylon lock nut.
- Lift the wall to where there is approximately 38" from the top of the deck to the top of the wall. The attachment brackets should be placed on the wall before lifting it into position. There should be no gaps greater than 3-1/2" to prevent entrapments.
- It is helpful to install with a couple of equal size shims under the wall to help hold the wall in position.
- Once the wall is in position, place the gaskets on the attachment brackets to prevent moisture from building between the bracket and the post.
- Use a drill with the self-tapping screws to screw the attachment bracket into the post; the bracket should have the weld nut facing downward.
- Once the brackets are installed make sure post are leveled and tighten the brackets on the wall using the 3/8"x 3/8" set screws.

## SPECIFICATIONS:

Event: The Rung Guard Wall is 41-1/2" wide and acts as a barrier to prevent falls from decks. Horizontal pipes that fits into the attachment brackets is 1-3/8" OD. Vertical pipes are 1" OD.

Paint shall be electrostatically applied oven cured powdercoat.

Hardware: Stainless steel tamper resistant.

## MAINTENANCE:

Touch up any marred paint surfaces.  
Periodically check hardware for integrity and tightness.

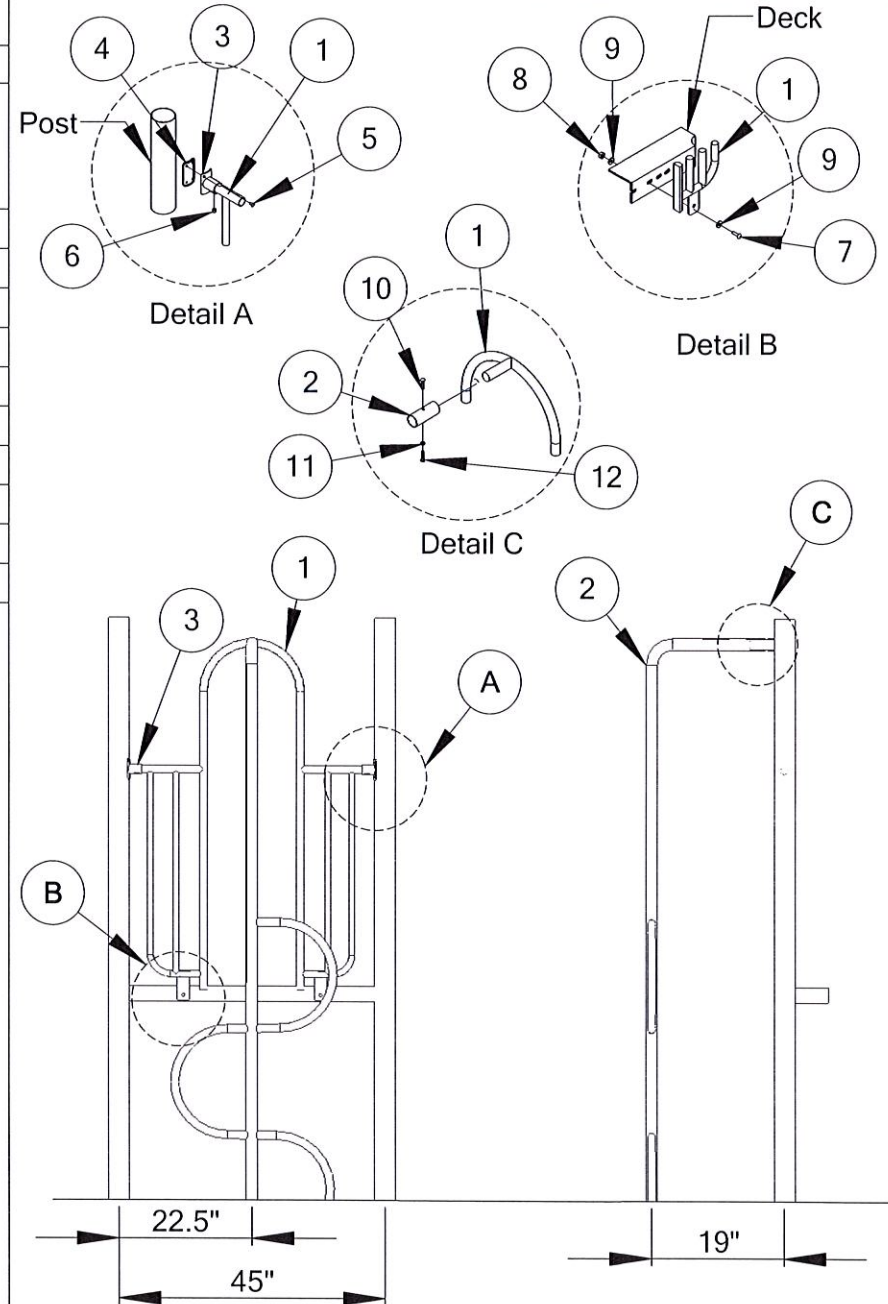




# "U" CLIMBER

912-129-3, 912-129-4  
912-129-5, 912-129-6

ITEM NO.	PART NUMBER	DESCRIPTION	QTY.
1	913-437	Arch Wall 3-1/2"	1
2	913-419-3	U Climber 3' deck 3-1/2"	1
	913-419-4	U Climber 4' deck 3-1/2"	
	913-419-5	U Climber 5' deck 3-1/2"	
	913-419-6	U Climber 6' deck 3-1/2"	
3	913-401	2 Hole Attachment Bracket	2
4	905-208	Gasket for Attachment Bracket	2
5	905-256	1/4" Self Tapping Pinned Screw	4
6	196-807	3/8" x 3/8" Socket Set Screw	2
7	126-701	3/8" x 1-1/4" Button head bolt	2
8	226-602	3/8" Nylon Lock Nut SS	2
9	196-807	3/8" Lock Washer SS	4
10	116-535	5/16" x 1-1/2" Button head bolt	1
11	326-501	5/16" Lock Washer	1
12	216-512	5/16" x 1" Button head nut	1





# "U" CLIMBER

912-129-3, 912-129-4  
912-129-5, 912-129-6

## "U" Climber Plan:

The U Climber attaches to the deck from an arch wall. The U Climber is to be installed 19" out from the deck.

## INSTRUCTIONS:

- Install the arch wall in the center of the posts with pole attachment stub facing outward, by bolting the arch wall to the deck using the 3/8" x 1-1/4" button head bolts with washers and nuts. Then attach the arch wall to the post using the attachment brackets with gasket between the post and bracket using self-tapping screws. The arch wall should be set to where the height of the barrier wall is 38" from the top of the deck to the top of the wall.
- Attach the U Climber to the arch wall. Be sure to maintain the same width between the top and bottom of the arch entry opening.
- Make sure all gaps (between walls and posts and deck) are less than 3-1/2", to ensure the safety of all users.
- Install U Climber to where there is 19" from the edge of the U Climber to the edge of the deck.

## SPECIFICATIONS:

Event: U Climber is constructed of 1-7/8" O.D. steel pipe bent to "L", welded to 16" diameter half circles of 1-3/8" outer diameter pipe.

Paint shall be electrostatically applied oven cured powdercoat.

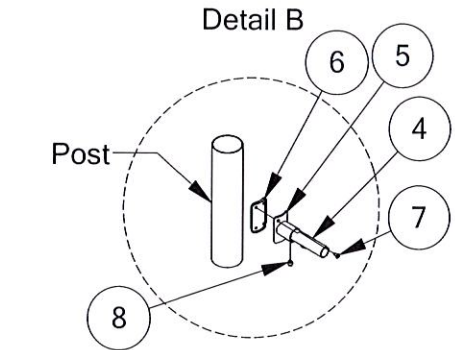
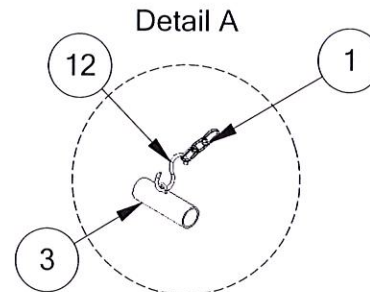
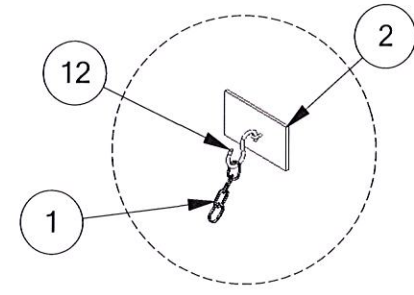
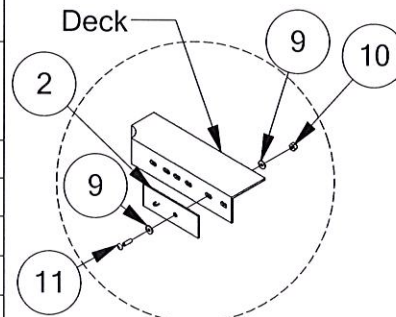
Hardware: Stainless steel tamper resistant.

## MAINTENANCE:

Touch up any marred paint surfaces.  
Periodically check hardware for integrity and tightness.

# CHAIN NET CLIMBER

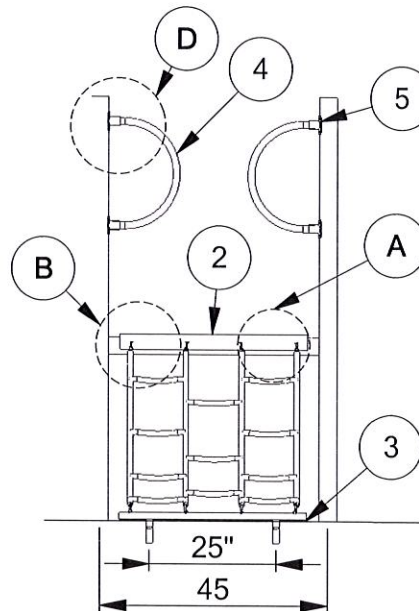
ITEM NO.	PART NUMBER	DESCRIPTION	QTY.
1	903-402 903-410 903-415	Chain Net 3' Chain Net 4' Chain Net 5'	1
2	913-408	Top Bracket for Chain Net	1
3	403-409	Chain Net Bottom Plate	1
4	913-412	Sm. Handholds 3-1/2"	2
5	913-402	4 Hole Attachment Brackets	4
6	905-208	Gasket for Attachment Bracket	4
7	905-526	1/4" Self Tapping Pinned Screw	16
8	196-807	3/8" x 3/8" Socket Set Screw	4
9	316-601	3/8" Flat Washer	6
10	226-602	3/8" Nylon Lock Nut	3
11	126-701	3/8" x 1-1/4" Button head bolt	3
12	585-901	3/8" "S" Hook	8



Detail A

Detail B

Detail D



Deck Height	Post/Footing Distance
36"	32"
48"	32"
60"	32"





# CHAIN NET CLIMBER

912-408, 912-409,  
912-410

## Chain Net Climber Plan:

The Chain Net Climber attaches at deck level and is secured at ground level. Separate handholds are included. See the Top Down View for placement.

## INSTRUCTIONS:

- Install the top bracket for the chain net to the face of the deck.
- Attach the S hooks, already installed on the net, to the top plate. Make sure to close S hooks to no greater gap than 3/16".
- Use the chain net as a template to mark the position of the bottom plate on the ground. The chain net should be installed at least 32" out from the deck. The net should have a slight dip in it.
- Dig holes 24" deep.
- Set the bottom leg in the cement, keeping the leg below the surfacing so it will not be a trip hazard.
- After cement hardens, attach the bottom of the chain net to the bottom angle with S hooks. Make sure to close S hooks no greater gap than 3/16".
- Then attach the hand holds to the post.

## SPECIFICATIONS:

Event: Chain Net is plastisol coated 4/0 galvanized chain.

Paint shall be electrostatically applied oven cured powdercoat.

Hardware: Stainless steel tamper resistant.

## MAINTENANCE:

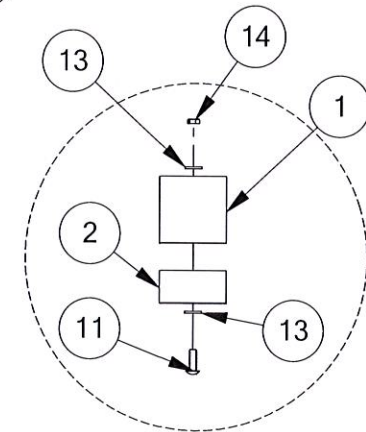
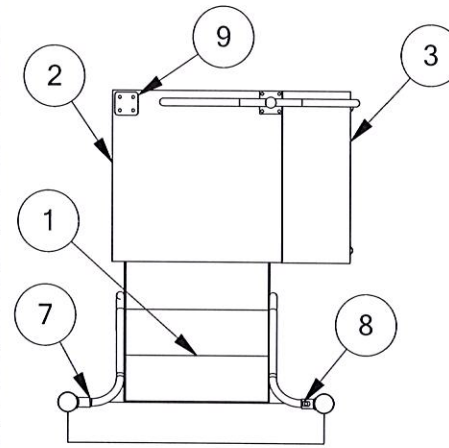
Touch up any marred paint surfaces.  
Periodically check hardware for integrity and tightness.



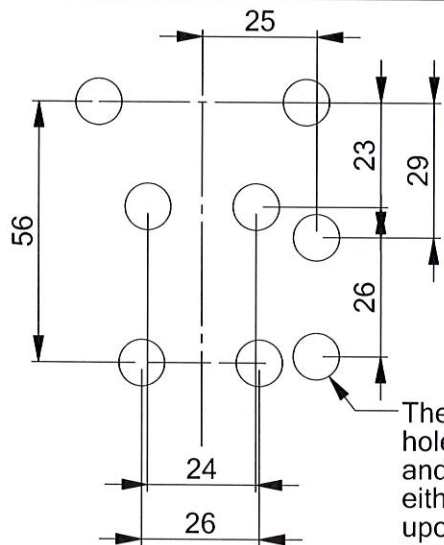
# TRANSFER STATION 3'

912-258

ITEM NO.	PART NUMBER	DESCRIPTION	QTY.
1	905-901	Transfer Stairs Coated 3' Deck	1
2	923-211	Deck For Transfer Point	1
3	923-210	Transfer Step	1
4	913-230	Inside Leg	4
5	913-426	Transfer Point Pipe w/Hand Holds	1
6	923-208	Support Post w/Plate	1
7	913-422	Transfer Point Hand Rail Left	1
8	913-423	Transfer Point Hand Rail Right	12
9	923-209	Cover Plate	1
10		Hardware	
11	126-701	3/8" x 1-1/4" Buttonhead Bolt	20
12	126-705	3/8" x 2" Buttonhead Bolt	4
13	316-601	3/8" Flat Washer	52
14	226-602	3/8" Nylon Lock Nut	27
15	913-402	4 Hole Attachment Bracket	2
18	905-526	Self Tapping Tamper Res. Torx Screw	8

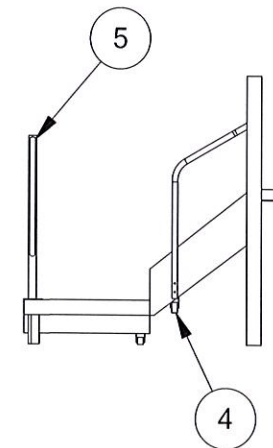
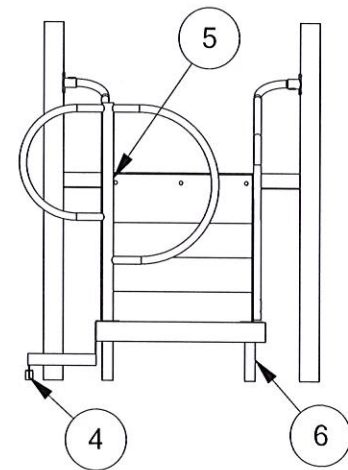


Detail A



These two outer holes are universal and can be used on either side depending upon which side the step is needed.

Sheet 1 of 3



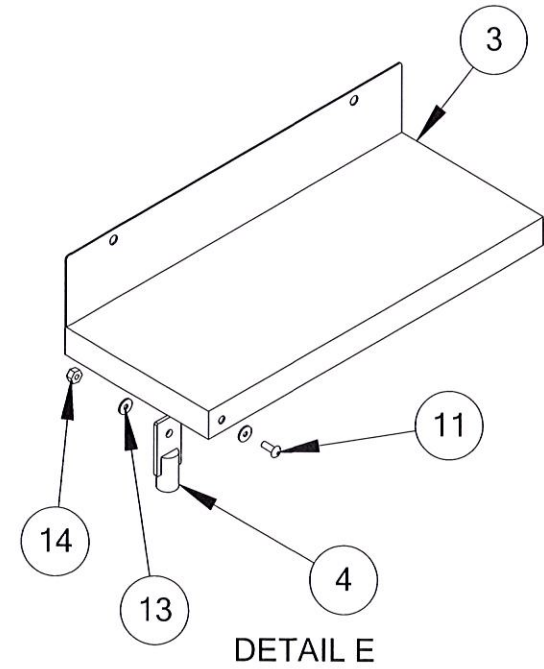
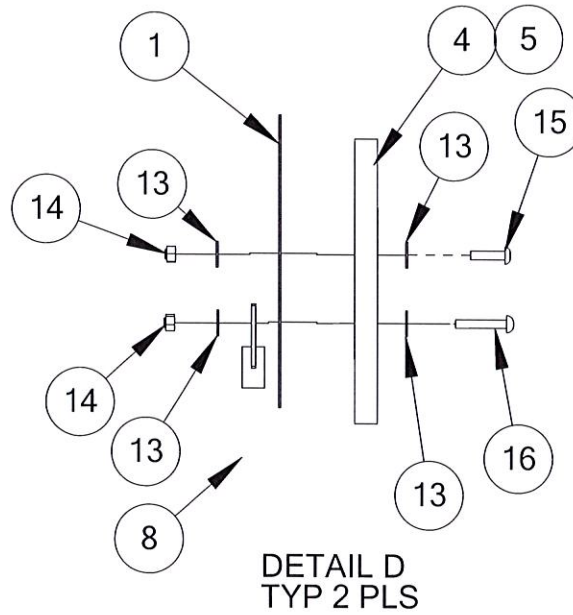
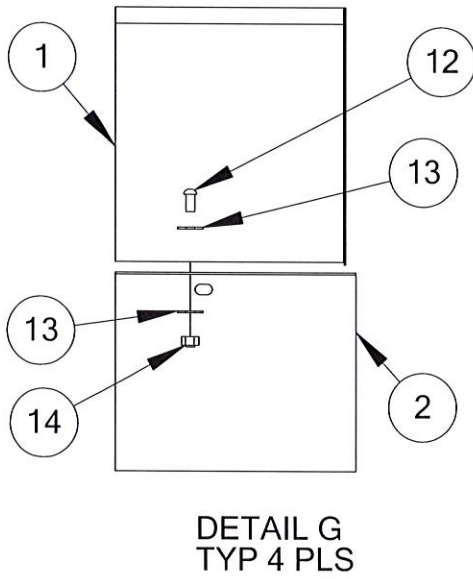
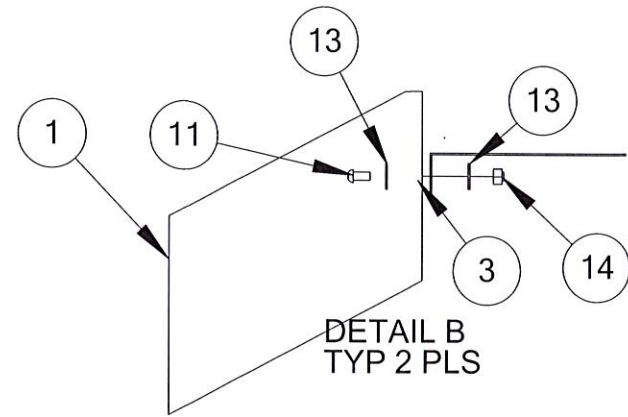
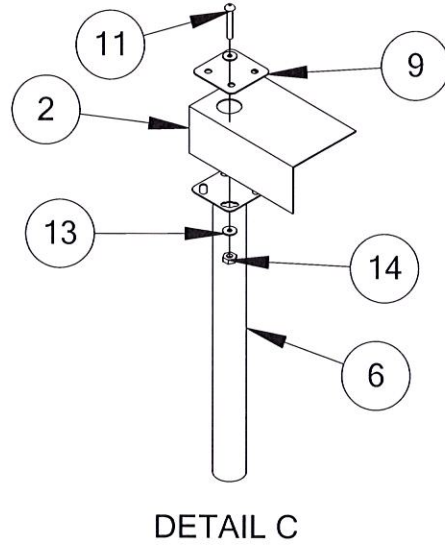
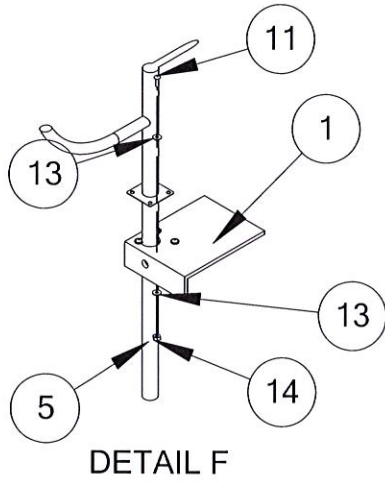
5

4

3

2

1







# TRANSFER STATION 3'

912-258

## Transfer Station Plan:

The transfer station connects to a deck side. Consult the Top Down View for proper placement of the event.

## INSTRUCTIONS:

1. Connect the top of the transfer stairs to deck with (3) 3/8" x 1-1/4" button bolts, washers on both sides, and lock nuts under the deck. See Detail A
2. Connect 2 inside legs to the stair using (2) 3/8" x 1/4" button head bolts, washers on both sides, and lock nuts under the transfer stairs. The legs will both through the bottom bolt of the handrails. See Detail D
3. Make sure the bottom stair of transfer step is blocked up vertically and horizontally on level.
4. Connect the left and right handrails to each side between the left and right deck post to the vertical holes located on the transfer stairs. See Detail D
5. (2) 4 hole attachment brackets, one per post, will be installed on the inside of posts by sliding the bracket onto the handrails and ensuring the handrails are plumb. Then using self tapping screws attach the brackets to the post with gasket between bracket and post, and then tighten set screws.
6. Connect the bottom platform to the two-step assembly using (3) 3/8" x 1-1/4" button head bolts, (6) 3/8" washers, (3) 3/8" lock nuts. See Detail G
7. The handhold post will connect through the hole inside the deck using (4) 3/8" x 1-1/4" button head bolts, (8) 3/8" washers, (4) 3/8" lock nuts each. See Detail F
8. Connect the transfer step to transfer decks on desired side with (3) 1-1/4" x 3/8" button head bolts, 3/8" washers, and lock nuts.
9. Install 2 inside step legs to step with (2) 1-1/4" x 3/8" button head bolts, washers, and lock nuts. Detail E
10. Level all post and support pipes and concrete.

11. Re-check levels of all (6) posts and the bottom plank and the entire transfer step. Make sure it is all level and blocked after concrete is poured.

## SPECIFICATION:

Event: Transfer Station shall be constructed of #9 ga. by 3/4" flattened, expanded metal, including offset kickplates to fully gaps between decks and steps.

Paint: Shall be oven-cured plastisol.

Hardware: Stainless Steel tamper resistant.

## MAINTENANCE:

Touch up any marred paint surfaces.

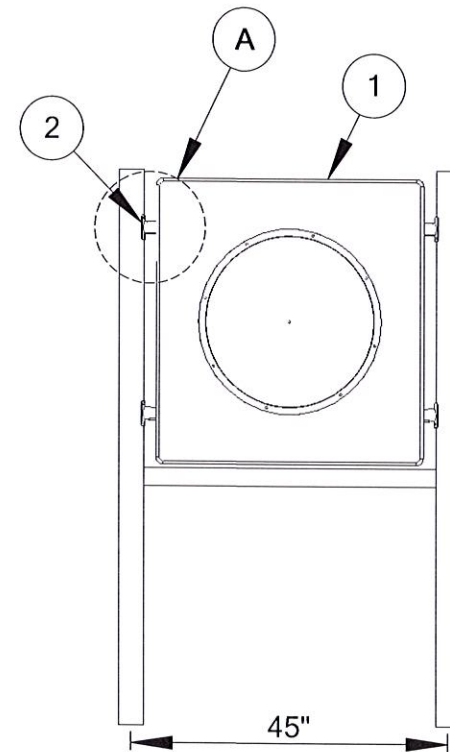
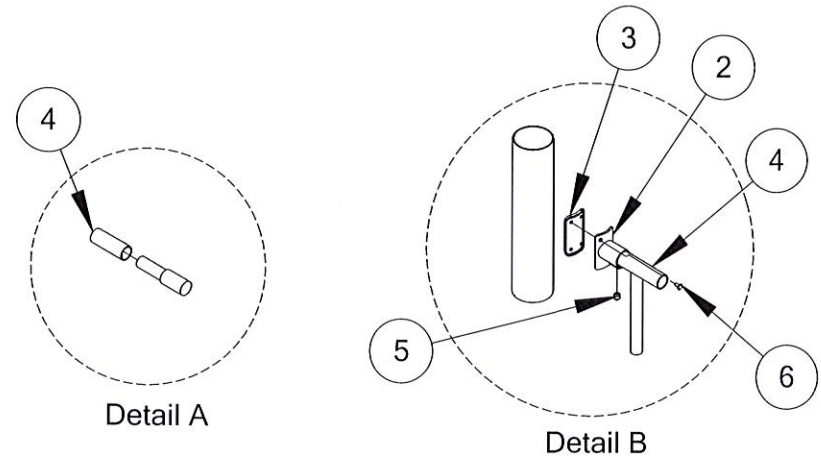
Periodically check hardware for integrity and tightness.



# BUBBLE PANEL

912-117

ITEM NO.	PART NUMBER	DESCRIPTION	QTY.
1	435-665	Bubble Panel	1
2	913-402	2 Hole Attachment Bracket	4
3	905-208	Gasket for Attachment Bracket	4
4	913-429	Spacer Bar Set	1
5	196-807	3/8" x 3/8" Socket Set Screw	4
6	905-526	Torx Self Tapping Screw	8
7	105-020	1-3/8" Aluminum Collar	4





# BUBBLE PANEL

912-117

## Bubble Panel Plan:

The Bubble Panel attaches above or below the deck to the center of the post using Tamper Resistant Screws.

## INSTUCTIONS:

- To install the panel first sleeve the spacer bar set together in the panel. The aluminum collars should be set so that once the spacers are sleeved all the way together, there is no gap between the collar and the panel.
- Now install the panel to the post using the 2 hole attachment brackets with gaskets between the brackets and the post to prevent moisture buildup. It is easiest to use a block to set the panel so there is no more than 3-1/2" between the panel and the nearest edge of the deck. Installation above or below deck requires the same distance between the panel and deck. This measurement is **CRITICAL** for the safety of the users.
- The spacers should be set so that there is no more than 3-1/2" between the spacer and the post as well.
- It is helpful to install with a couple of equal size shims under the panel to help hold the wall in position, and to tightne the set screws in the brackets to keep them from spinning when setting the brackets to the post.

## SPECIFICATIONS:

Event: Bubble is constructed of clear lexan and is bolted to the panel with stainless steel hardware. Metal brackets are powdercoated.

Paint shall be electrostatically applied oven cured powdercoat.

Hardware: Stainless steel tamper resistant.

## MAINTENANCE:

Touch up any marred paint surfaces.  
Periodically check hardware for integrity and tightness.

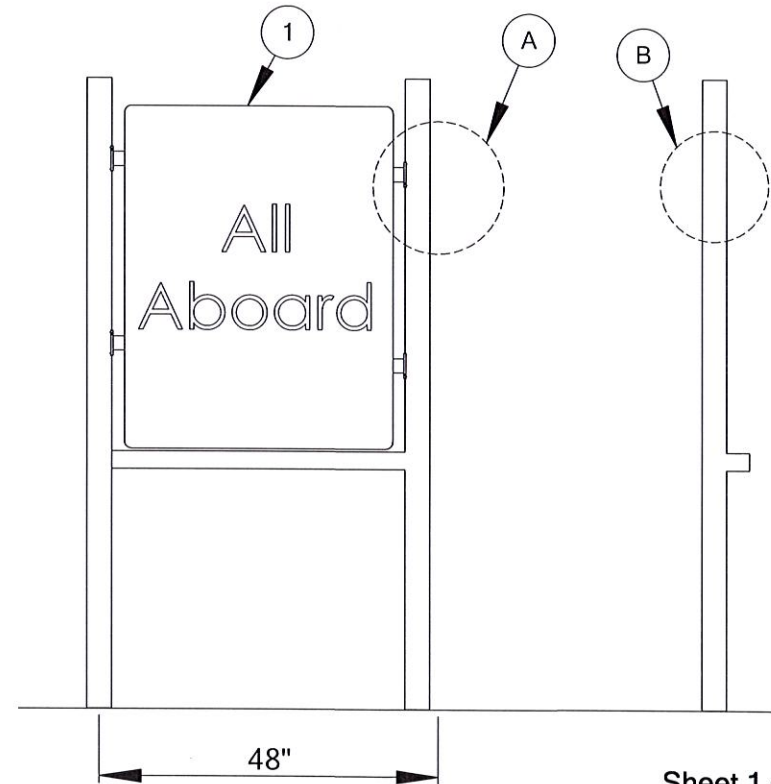
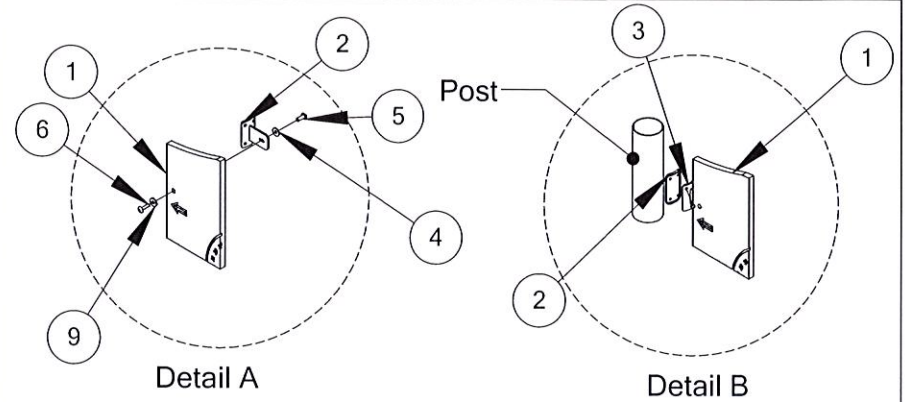




# TRAIN ALL ABOARD PANEL

912-296

ITEM NO.	PART NUMBER	DESCRIPTION	QTY.
1	000-000	3.5" Train All Aboard	1
2	913-417	Panel Attachment Bracket	4
3	905-208	Gasket for Attachment Bracket	4
4	316-501	5/16" Flat Washer	4
5	116-529	5/16" x 3/4" Buttonhead Bolt	4
6	216-512	5/16" x 1" Buttonhead Bolt	4
7	905-526	Torx Self-Tapping Screw	16
8	196-807	3/8" x 3/8" Socket Set Screw	4
9	316-601	3/8" Flat Washer	4



Sheet 1 of 2

5

4

3

2

1

**Train All Aboard Panel Plan:**

The All Aboard Panel attaches above or below the deck to the "deck side" of the posts with 4 post clamps. See the Top Down View for placement.

**INSTRUCTIONS:**

- Install the wall on the "deck side" of the posts.
- Attach angle brackets to either side of the panel making sure the apex of the angle bracket is pointing outward (away from the structure) and the opening of the angle is inward.
- Use the panel brackets as a template to mark, then drill 3 holes through each side of the panel.
- Using two people, flush mount one side of the panel with angle bracket pipe fitting into the pipe clamp. Once set, repeat for the other side.
- Install with no more than 3-1/2" between the wall and the nearest edge of the deck. Installation above, or below deck requires the same distance between the wall and deck. This measurement is **CRITICAL** for the safety of the users. Install the panel so that the minimum distance from the top of the deck to the top of the panel is 38", to satisfy minimum guard wall requirements.
- It is helpful to install with a couple of equal size shims under the wall to help hold the wall in position.

**SPECIFICATIONS:**

Event: All Aboard Panel is constructed of 3/4" polyethylene includes UV protectant to preserve color fastness. Metal brackets are powdercoated.

Paint shall be electrostatically applied oven cured powdercoat.

Hardware: Stainless steel tamper resistant.

**MAINTENANCE:**

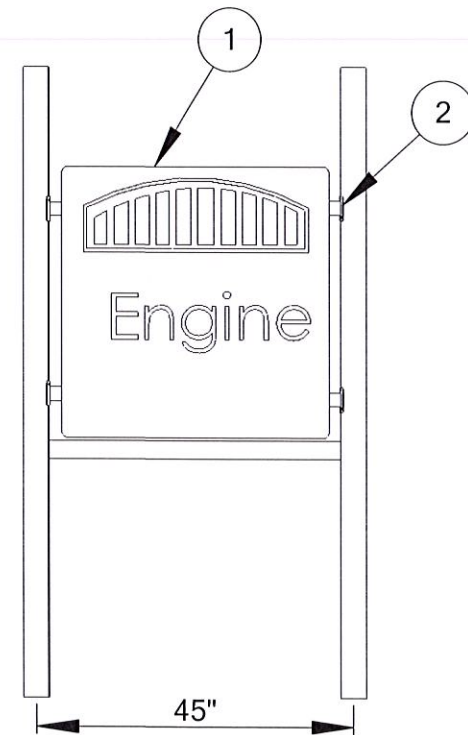
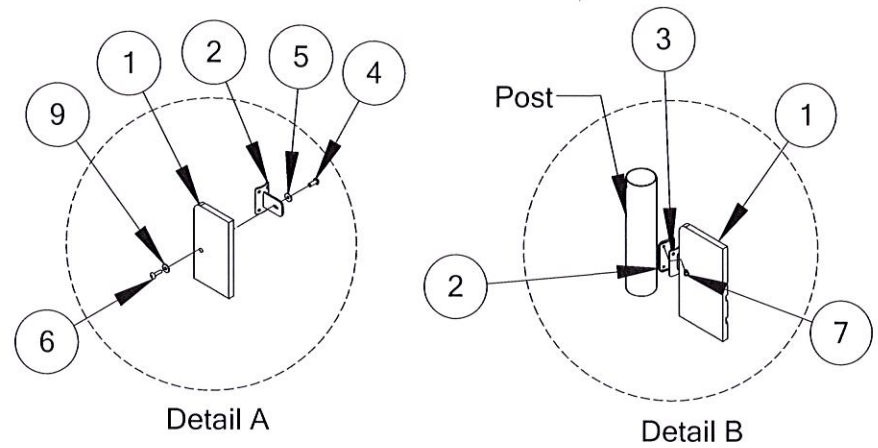
Touch up any marred paint surfaces.  
Periodically check hardware for integrity and tightness.



# TRAIN ENGINE PANEL

912-299

ITEM NO.	PART NUMBER	DESCRIPTION	QTY.
1	912-299	Train Engine Panel	1
2	913-402	2 Hole Attachment Bracket	4
3	905-208	Gasket for Attachment Bracket	4
4	316-501	5/16" Flat Washer	4
5	116-529	5/16" x 3/4" Buttonhead Bolt	4
6	216-512	5/16" x 1" Buttonhead Nut	4
7	196-807	3/8" x 3/8" Socket Set Screw	4
8	905-526	Torx Self Tapping Screw	16
9	316-601	3/8" Flat Washer	4



5

4

3

2

1





# TRAIN ENGINE PANEL

912-299

## Train Engine Panel Plan:

The Engine Panel attaches below the deck to the center of the posts with 4 panel attachment brackets. See the Top Down View for placement.

## INSTRUCTIONS:

- Attach the panel attachment brackets to either side of the panel. Use the panel brackets as a template to mark, then drill 2 holes through each side of the panel.
- Using two people, hold the panel up and attach the brackets to the post with gaskets between the post and brackets, using the self-tapping screws. The brackets can be installed without the panel attached if you mark on the post where the brackets should be. This can make installation a bit easier.
- Install with **no more than 3-1/2"** between the wall and the nearest edge of the deck. This measurement is **CRITICAL** for the safety of the users.
- It is helpful to install with a couple of equal size shims to help hold the wall in position.

## SPECIFICATIONS:

Event: Castle Panel is fabricated of 3/4" polyethylene. Metal brackets are powdercoated.

Paint shall be electrostatically applied oven cured powdercoat.

Hardware: Stainless steel tamper resistant.

## MAINTENANCE:

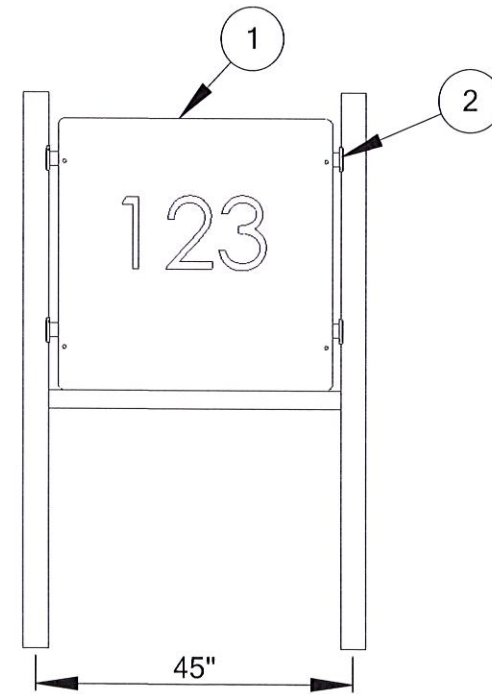
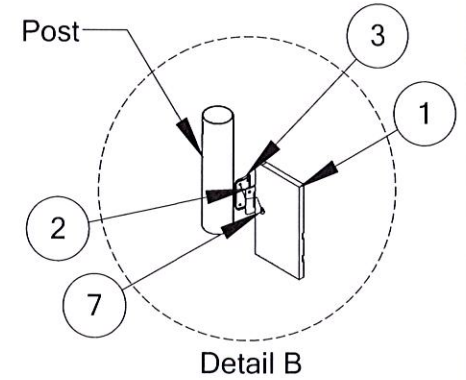
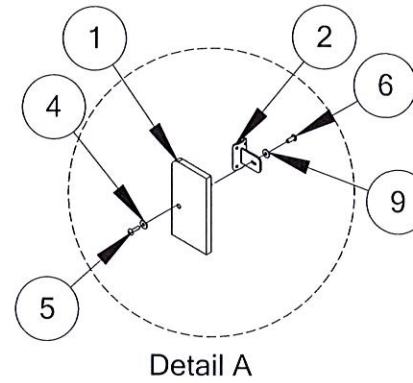
Touch up any marred paint surfaces.  
Periodically check hardware for integrity and tightness.



# TRAIN NUMBER PANEL

912-295

ITEM NO.	PART NUMBER	DESCRIPTION	QTY.
1	912-295	Train Number Panel	1
2	913-417	Panel Attachment Bracket	4
3	905-208	Gasket for Attachment Bracket	4
4	316-501	5/16" Flat Washer	4
5	116-529	5/16" x 3/4" Button Head Bolt	4
6	216-512	5/16" x 1" Button Head Nut	4
7	905-526	Torx Self Tapping Screw	16
8	196-807	3/8" x 3/8" Socket Set Screw	4
9	316-601	3/8" Flat Washer	4



5

4

3

2

1

## Train Number Panel Plan:

The Number Panel attaches above or below the deck to the "deck side" of the posts with 4 post clamps. See the Top Down View for placement.

## INSTRUCTIONS:

- Install the wall on the "deck side" of the posts.
- Attach angle brackets to either side fo the panel making sure the apex of the angle bracket is pointing outward (away from the structure) and the opening of the angel is inward.
- Use the panel brackets as a template to mark, then drill 3 holes through each side of the panel.
- Using two people, flush mount one side of the panel with angle bracket pipe fitting into the pipe clamp. Once set, repeat for the other side.
- Install with no more than 3-1/2" between the wall and the nearest edge of the deck. Installation above, or below deck requires the same distance between the wall and deck. This measurement is **CRITICAL** for the safety of the users. Install the panel so that the minimum distance from the top of the deck to the top of the panel is 38", to satisfy minimum guard wall requirements.
- It is helpful to install with a couple of equal size shims under the wall to help hold the wall in position.

## SPECIFICATIONS:

Event: Number Panel is constructed of 3/4" polyethylene includes UV protectant to preserve color fastness. Metal brackets are powdercoated.

Paint shall be electrostatically applied oven cured powdercoat.

Hardware: Stainless steel tamper resistant.

## MAINTENANCE:

Touch up any marred paint surfaces.  
Periodically check hardware for integrity and tightness.

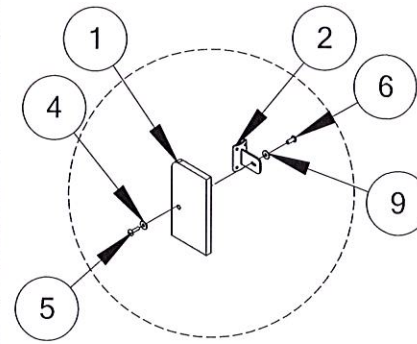




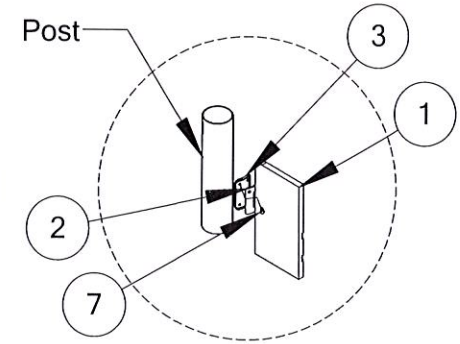
# TRAIN WHEEL PANEL

912-298

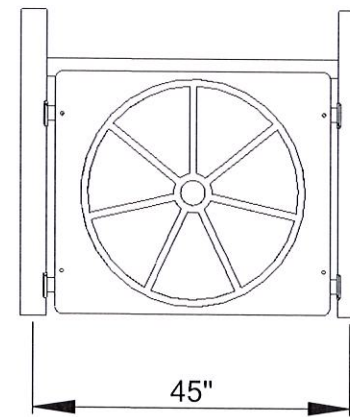
ITEM NO.	PART NUMBER	DESCRIPTION	QTY.
1	912-295	Train Number Panel	1
2	913-417	Panel Attachment Bracket	4
3	905-208	Gasket for Attachment Bracket	4
4	316-501	5/16" Flat Washer	4
5	116-529	5/16" x 3/4" Button Head Bolt	4
6	216-512	5/16" x 1" Button Head Nut	4
7	905-526	Torx Self Tapping Screw	16
8	196-807	3/8" x 3/8" Socket Set Screw	4
9	316-601	3/8" Flat Washer	4



Detail A



Detail B



5

4

3

2

1

**Train Wheel Panel Plan:**

The Wheel Panel attaches above or below the deck to the "deck side" of the posts with 4 post clamps. See the Top Down View for placement.

**INSTRUCTIONS:**

- Install the wall on the "deck side" of the posts.
- Attach angle brackets to either side of the panel making sure the apex of the angle bracket is pointing outward (away from the structure) and the opening of the angle is inward.
- Use the panel brackets as a template to mark, then drill 3 holes through each side of the panel.
- Using two people, flush mount one side of the panel with angle bracket pipe fitting into the pipe clamp. Once set, repeat for the other side.
- Install with no more than 3-1/2" between the wall and the nearest edge of the deck. Installation above, or below deck requires the same distance between the wall and deck. This measurement is **CRITICAL** for the safety of the users. Install the panel so that the minimum distance from the top of the deck to the top of the panel is 38", to satisfy minimum guard wall requirements.
- It is helpful to install with a couple of equal size shims under the wall to help hold the wall in position.

**SPECIFICATIONS:**

Event: Wheel Panel is constructed of 3/4" polyethylene includes UV protectant to preserve color fastness. Metal brackets are powdercoated.

Paint shall be electrostatically applied oven cured powdercoat.

Hardware: Stainless steel tamper resistant.

**MAINTENANCE:**

Touch up any marred paint surfaces.  
Periodically check hardware for integrity and tightness.

## Label Installation

Apply to clean, dry, smooth surface. Carefully peel label from paper backing and apply with no wrinkles or tears. Install them where they will not be disturbed during play. Inspect labels regularly. If torn, disfigured, damaged or faded, contact your SportsPlay distributor for replacement labels.

### Top of Surfacing Label

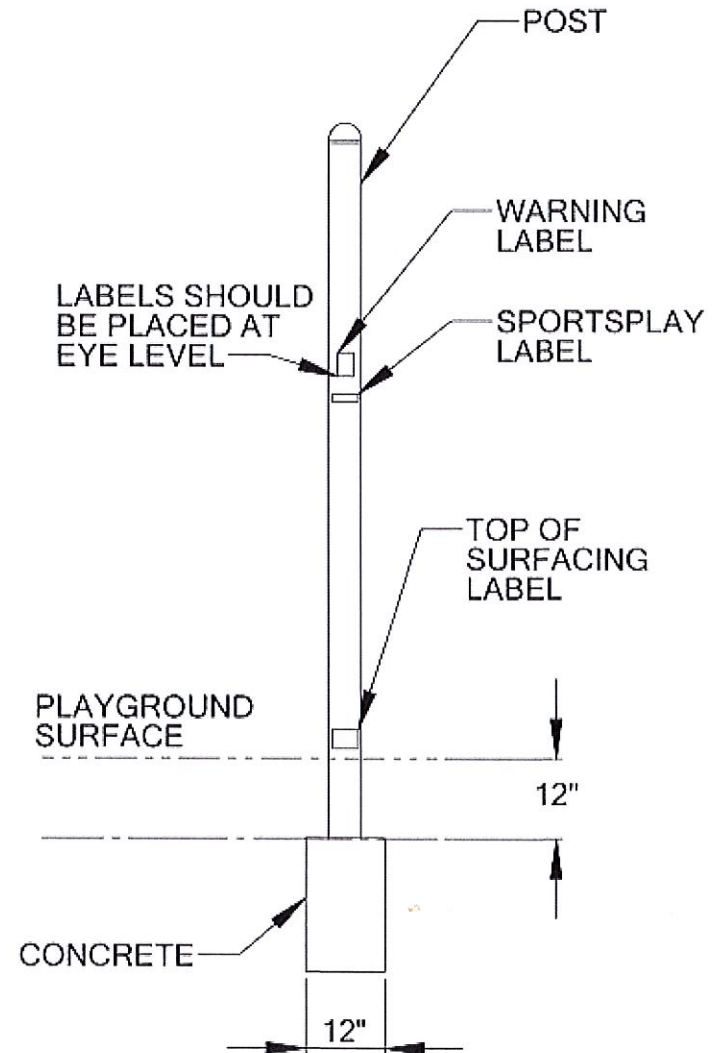
Install one to each upright post at the level you have determined will be your "Top of Surfacing" based on fall height and resilient surfacing used.

### Warning Label

Install two labels at eye level to different upright posts at locations most likely to be used to access the play unit.

### Manufacturer Label

Install labels at eye level to posts near the Warning Labels.





## Trouble Shooting

**Problem:** Incorrect sized hole or no hole where there is supposed to be one.

**Solution:** Use a 1/4" leader drill bit to drill a hole at the desired location. Next, drill larger size hole with correct bit. Usually, when there is a hole missing, it is an oversight, but if it appears that there are several missing holes, re-check your work.

**Problem:** Setscrew missing on clamp or setscrew hole is cross-threaded.

**Solution:** Drill a new hole in the clamp at the correct location with a 5/16" bit, then tap with a 3/8"/16 tap.

**Problem:** A typical 48" long portion of a pipe will not fit correctly, causing the posts to be off level.

**Solution:** First, check to see that the pre-installed setscrews are not installed too far into the clamp making it impossible for the pipe to enter the clamp. Also, make sure that the clamp is not crooked, preventing the pipe ends to enter the clamp all the way. If this is the case, install clamp sideways onto pipe, then attach to post. The pipes enter the clamp a distance of 1 1/4" deep. If the pipe does not enter all the way, then use a rubber hammer to pound a component to the left or right to ensure the pipe ends have dead-ended into clamps. If the problem remains, contact your distributor.

**Problem:** A clamp has already been drilled and has had a roll pin installed and you have to move it.

**Solution:** Using a punch, simply knock the roll pin through the clamp and post then move the clamp.

**Problem:** There is interference between a vertical portion of one component and another vertical portion of another component going into the opposite direction. (For instance, in the case of a tunnel or bubble window that has a vertical spacer bar).

**Solution:** Loosen the spacer bar by loosening the setscrew on it, move it over to make room.

**Problem:** Your posts are out of line.

**Solution:** Unblock your new posts. Check to see if when the deck was installed the posts were not on the center to the corners of the deck. Loosen the hardware and re-line the posts this way. In most cases, you have to back up, loosen hardware, and physically move each post or component that is connected similarly with 48" end pipes. There is a chance that the component was installed so that it was out of center of the 48" posts, which connect it. Loosen the setscrews on these parts; move them back into line, re-block posts. You must work hard to insure that posts are in line and on bubble.

**Problem:** You try to level a part or post and it won't budge, it swings or else bounces back.

**Solution:** Your hardware or blocks are too tight. Loosen the assembly, level and then re-block and re-tighten.

**Problem:** Bolt size in parts box does not match the instructions for the bolt.

**Solution:** If we made an error in sending the wrong hardware, use a correct size from the hardware store and we'll reimburse you.

## Safety Checklist

Carefully go over each post, deck and component with bare hands very carefully to detect any areas that may be sharp. During installation and handling, there may be areas that were hammered; causing rough areas that may be sharp. Use the following list to check for problem areas:

- Scrapes in metal pieces. Use steel wool, files or sandpaper to smooth.
- Spatter or burrs at all welded locations. Look closely and smooth.
- Scratches on the plastic parts. Look closely and smooth with steel wool.
- Edges and mold lines on plastic and aluminum parts should be smoothed with steel wool or files.
- Slide connection joints, smooth and fill if necessary with outdoor clear caulk sealant. This applies to any small opening that might be a “catch” or entanglement point.
- Sleeve ends, sometimes rough handling will cause rough edges. Sand down rough areas if they exist. Check that screws are seated.
- Vinyl coated parts, check all areas to de-burr.
- Roll pins; make sure they are flush and do not stick out.
- Clamps, when aluminum is hammered, it can cause a rough area. De-burr if necessary.
- Bolt thread protrusions, two threads are maximum protrusion allowed. If more than two threads are visible, cut off and file smooth.
- “T” nuts, should not stick out. Loosen and retighten.
- Black top end caps, smooth down rough areas as necessary.
- If there are any nail or screw heads which are improperly installed (bent or marred) remove and replace.
- Angle irons, check all corners for rough areas – sand if necessary.
- Set Screw, all setscrews should be flush with metal surfaces. Check all and tighten.
- Exposed concrete – all concrete should be poured below grade. Backfill all of the footings with dirt.
- Never ASSUME that hardware was tightened. Check everything.
- Touch up painted areas as needed.

Maintenance Checklist

LOCATION \_\_\_\_\_ INSPECTOR \_\_\_\_\_  
 DATE \_\_\_\_\_

INSTRUCTIONS: All playground components are listed below. Check monthly. Train personnel (through study of CPSC Guidelines and ASTM standards) to be alert to playground hazards and report them promptly. Avoid use of hazardous equipment until repaired. Check in equipment column means satisfactory. Letter (R) means needs repair and could be hazardous. Copy this page and explain "R" ratings on reverse side.

Equipment	36" deck	Transfer station	Crawl tunnel	Alpha panel	Guard wall with wheel	Triple rail slide	Slide guard	Deck clamps	Post clamps	Large handhold	Small handhold		
Resilient Surfacing Depth													
Broken glass, trash, foreign objects, etc.													
Exposed or loose concrete footings, other trip hazards													
Missing or broken parts													
Sharp or jagged edges													
Protrusions													
Entanglement, such as open S- hooks													
Rust, rot, cracks, splinters													
S- hooks, hangers, chain. Replace when 25% worn													
Loose or missing hardware													
Drainage, particularly in heavy use areas													
Adequate use zone													
Other (specify)													
Labels legible													